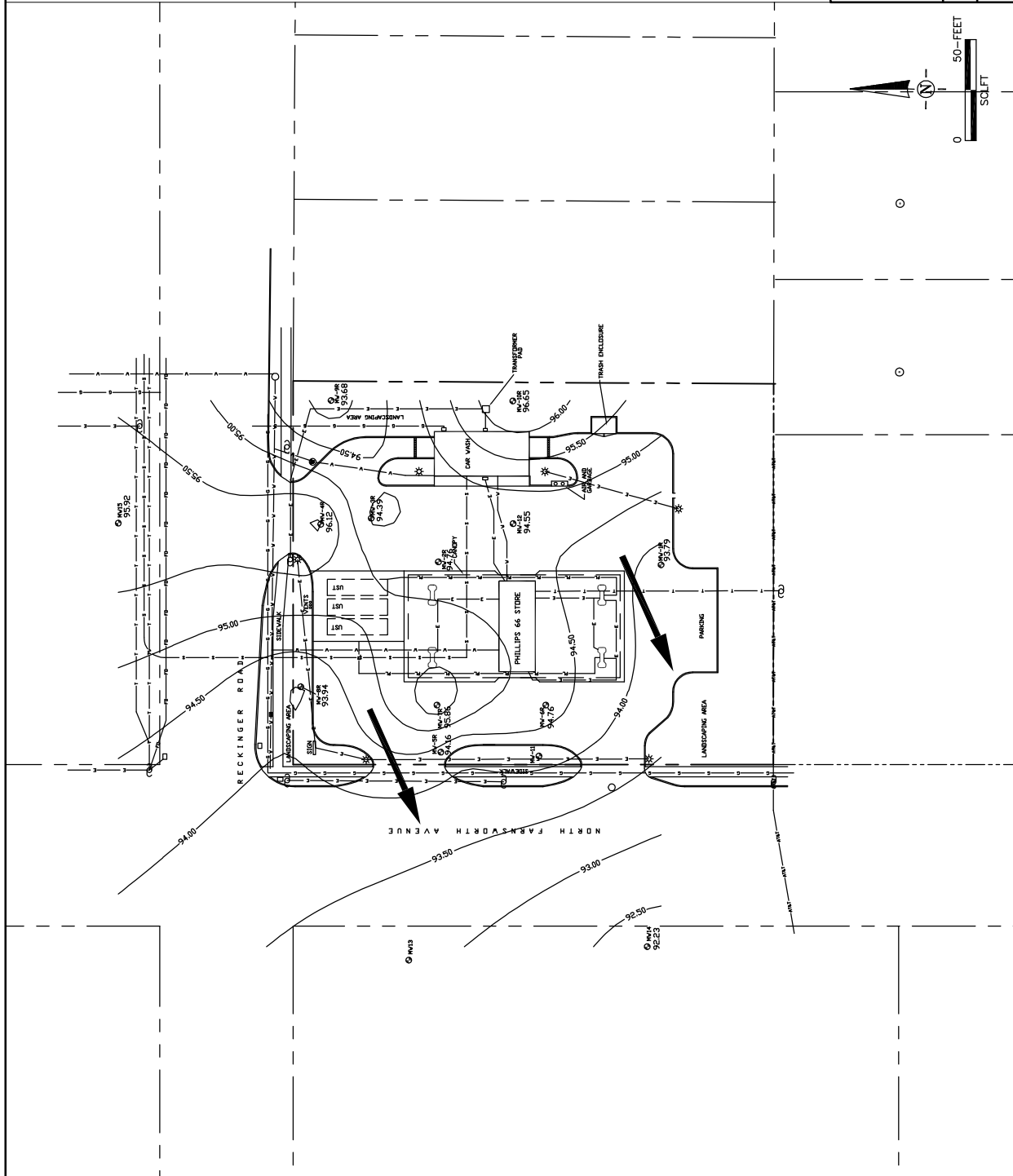




# EXHIBIT A2

## LEGEND

— — — — —	PROPERTY BOUNDARY
— — — — —	CONCRETE CURB
○	MONITORING WELL LOCATION
— E —	ELECTRIC LINE
— G —	GAS LINE
— FO —	FIBER OPTIC LINE
— T —	TELEPHONE LINE
— S —	SEWER LINE
— V —	WATER LINE
— AT&T —	AT&T LINE
(CO)	PRODUCT LINE
—	UTILITY POLE
⊙	WATER BOX
⊙	LIGHT POLE
⊙	DISPENSER PUMP
⊙	VENTS
⊙	UTILITY BOX
⊙	STORM SEWER
⊙	POTABLE WATER WELL
— — — — —	TRENCH DRAIN
— 94 —	GROUNDWATER CONTOUR
(82.01)	GROUNDWATER ELEVATION (FEET)
→	GROUNDWATER FLOW DIRECTION



**FIGURE 2B**  
**ESTIMATED GROUNDWATER IMPACT MAP**  
**AURORA/PHILLIPS 66 SERVICE STATION NO. 270617**  
**131 NORTH FARNSWORTH AVENUE**  
**AURORA, ILLINOIS**

PROJECT NO. IL2500025	DATE 8/2/2012	PREPARED BY ANTEA GROUP	REVIEWED BY JK	DRAWN BY JK	FILE NAME JK
--------------------------	------------------	----------------------------	-------------------	----------------	-----------------

