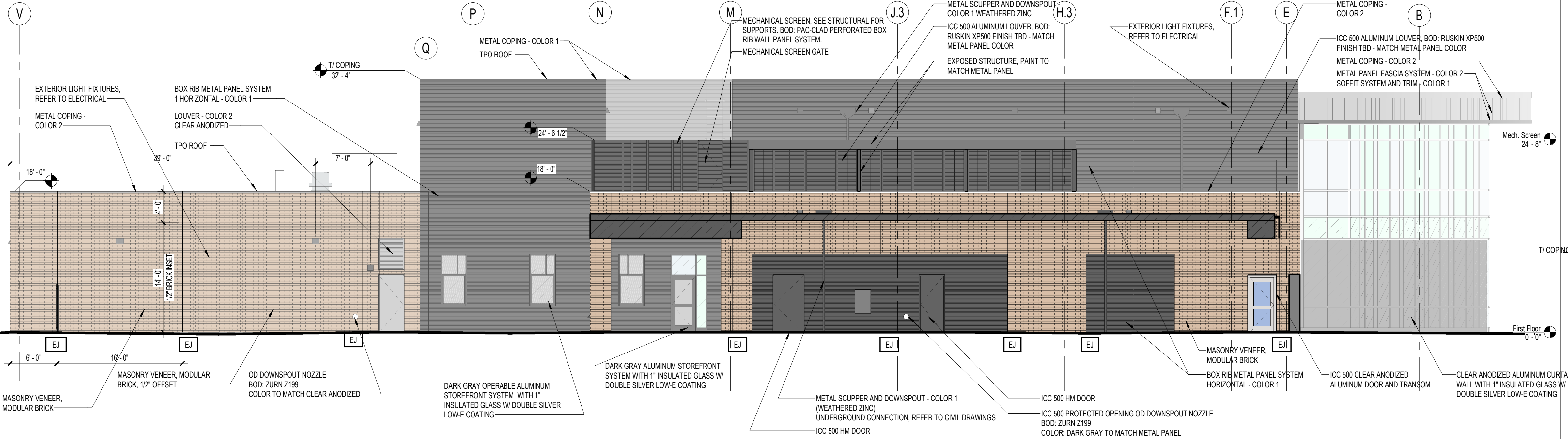


# ELEVATIONS

**ELEVATION DATA TABLE : MASONRY AND COMPOSITE METAL WALL AREA**

ELEVATION	WALL AREA TOTAL	WALL AREA FENESTRATION	WALL AREA MASONRY	WALL AREA METAL PANEL	PERCENTAGE MASONRY/METAL PANEL
NORTH ELEVATION - EMA (EL-1)	4,596 SF	340 SF	1,894 SF	2,362 SF	92.0%
NORTH ELEVATION - FS (EL-2)	2,138 SF	806 SF	783 SF	549 SF	62.0%
EAST ELEVATION - EMA/FS (EL-2)	6,219 SF	1,003 SF	1,573 SF	3,643 SF	84.0%
SOUTH ELEVATION - EMA (EL-1)	4,159 SF	1,410 SF	1,528 SF	1,221 SF	66.0%
SOUTH ELEVATION - FS (EL-2)	3,106 SF	1,222 SF	839 SF	1,045 SF	60.0%
WEST ELEVATION - EMA (EL-1)	3,834 SF	1,622 SF	1,112 SF	1,100 SF	58.0%
WEST ELEVATION - FS (EL-2)	2,623 SF	336 SF	655 SF	1,632 SF	87.0%

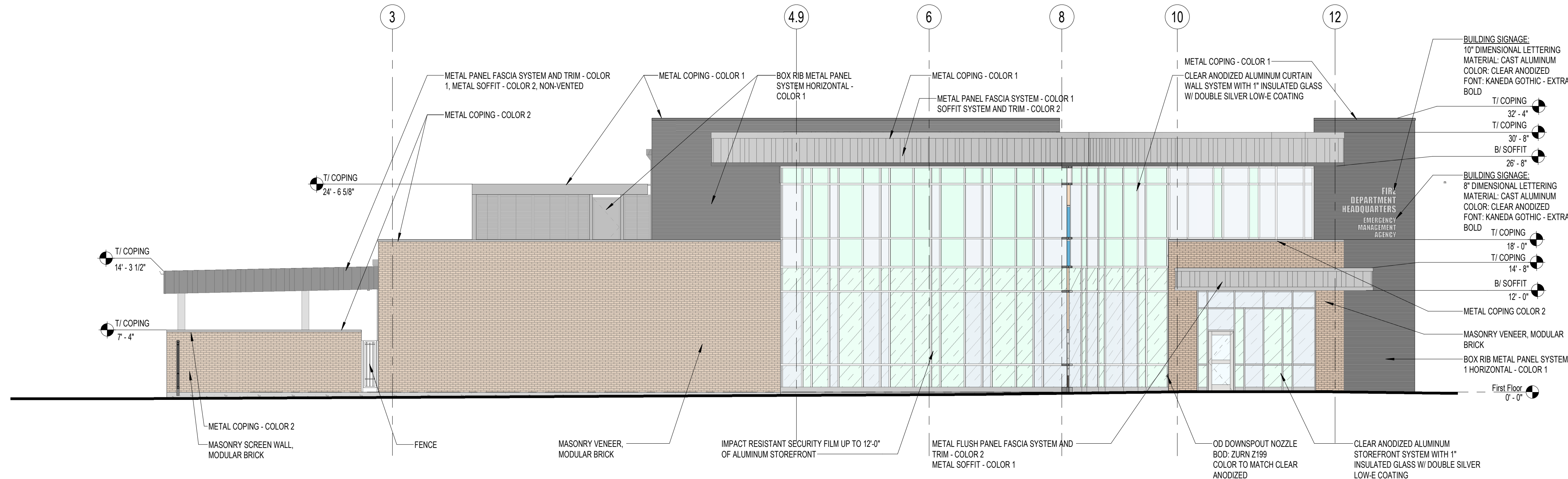
COMMENTS:



**3 NORTH ELEVATION - FIRE ADMIN EL-1**  
1/8" = 1'-0"

**BUILDING ELEVATION MATERIAL LEGEND**

SYMBOL	DESCRIPTION	SYMBOL	DESCRIPTION
[Brick Veneer Symbol]	BRICK VENEER BOD: ENDICOTT, MODULAR BRICK VENEER, WITH COLORED MORTAR COLOR: DESERT IRONSPOT LIGHT SPEC MIX, SM300 LIGHT BUFF OR SM610 AMBER	[Metal Panel Fascia Symbol]	METAL PANEL FASCIA SYSTEM - COLOR 1 BOD: PAC-CLAD FLUSH WALL PANEL SYSTEM, FINISH: ALUMINUM 0.040, COLOR: PREMIUM METALLIC WEATHERED ZINC **SOFFIT COLOR 2: PREMIUM METALLIC SILVER
[Box Rib Metal Panel Symbol]	BOX RIB METAL PANEL SYSTEM - COLOR 1 BOD: PAC-CLAD, VERTICAL BOX RIB 1 + BOX RIB 2 + BOX RIB 3 WALL PANEL SYSTEMS, FINISH: 24 GA STEEL COLOR: PREMIUM METALLIC WEATHERED ZINC	[Metal Panel Fascia Symbol]	METAL PANEL FASCIA SYSTEM - COLOR 2 PAC-CLAD FLUSH WALL PANEL SYSTEM, FINISH: ALUMINUM 0.032, COLOR: PREMIUM METALLIC SILVER **SOFFIT COLOR 1: WEATHERED ZINC
[Box Rib Metal Panel Symbol]	BOX RIB METAL PANEL SYSTEM - COLOR 1 BOD: PAC-CLAD, HORIZONTAL BOX RIB 1 WALL PANEL SYSTEM, FINISH: ALUMINUM 0.032 COLOR: PREMIUM METALLIC WEATHERED ZINC	[Metal Coping Symbol]	METAL COPING SYSTEM BOD: PAC-CLAD, PAC-TITE FINISH: ALUMINUM 0.032, COLOR 1: PREMIUM METALLIC WEATHERED ZINC COLOR 2: PREMIUM METALLIC SILVER
[Box Rib Metal Panel Symbol]	BOX RIB METAL PANEL SYSTEM - COLOR 2 BOD: PAC-CLAD, HORIZONTAL BOX RIB 1 WALL PANEL SYSTEM, FINISH: ALUMINUM 0.032 COLOR: PREMIUM METALLIC SILVER	[Roof Screen Symbol]	ROOF SCREEN SYSTEM BOD: PAC-CLAD, PERFORATED BOX RIB SYSTEM 1, TYPE B & F FINISH: ALUMINUM 0.032, COLOR: PREMIUM METALLIC WEATHERED ZINC
[IG-1 Symbol]	IG-1 - 1" INSULATED CLEAR LOW-E GLASS	[IPC-1 Symbol]	IPC-1 - 1" INSULATED POLYCARBONATE (STORM SHELTER)
[IG-3 Symbol]	IG-3 - 1" INSULATED GREEN GLASS	[Glass Symbol]	GLASS WITH IMPACT RESISTANT FILM
[IG-4 Symbol]	IG-4 - 1" INSULATED GRAY GLASS		

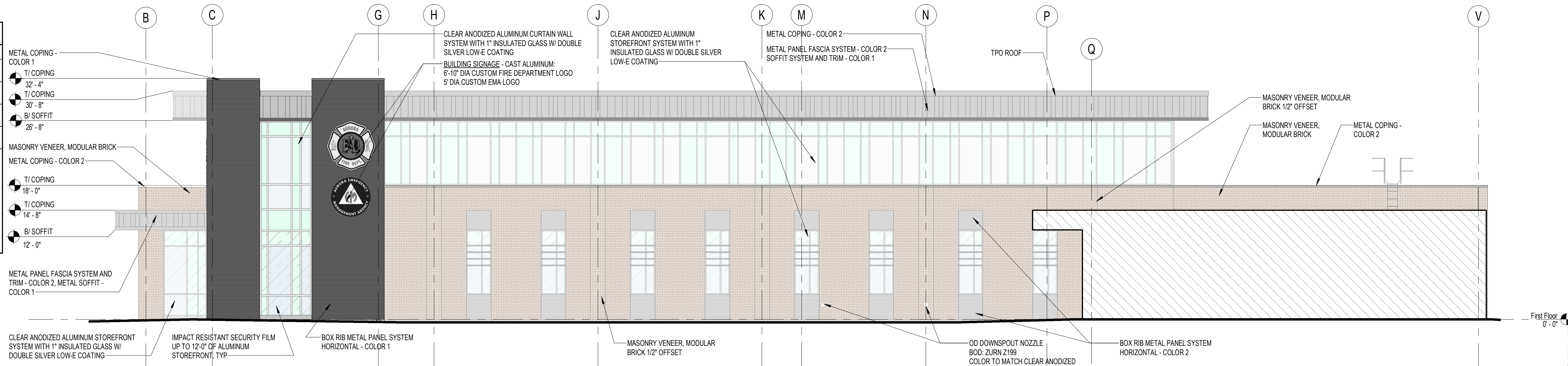


**2 WEST ELEVATION - FIRE ADMIN EL-1**  
1/8" = 1'-0"

**ELEVATION DATA TABLE : ELEVATIONS**

DESCRIPTION	VALUE	UNIT
A.) BUILDING HEIGHT IN FEET	32.0	FEET
B.) TOTAL BUILDING SQUARE FOOTAGE	36,200	SQUARE FEET
C.) FIRST FLOOR BUILDING SQUARE FOOTAGE	30,600	SQUARE FEET
D.) NUMBER OF STORIES	2	STORY

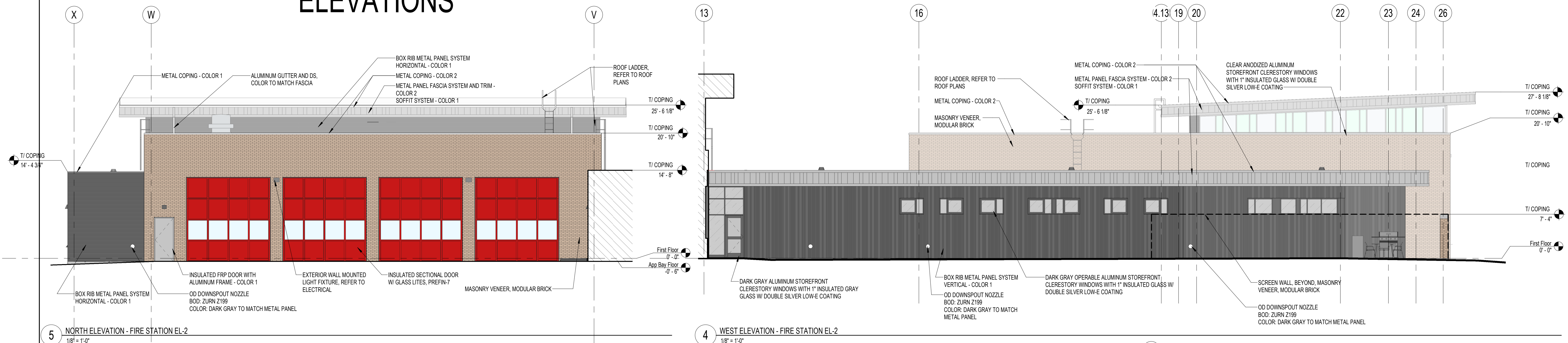
E) EXTERIOR MATERIAL LIST (INCLUDING COLORS) FOR ALL BUILDINGS AND ACCESSORY STRUCTURES  
 BRICK - MODULAR RUNNING BOND - SANDSTONE LIGHT SMOOTH  
 BOX RIB METAL PANEL COLOR 1 - VERTICAL BOX RIB 1, 2, 3 - WEATHERED ZINC  
 BOX RIB METAL PANEL COLOR 2 - HORIZONTAL BOX RIB 1 - WEATHERED ZINC  
 BOX RIB METAL PANEL COLOR 3 - HORIZONTAL BOX RIB 2 - CLEAR ANODIZED  
 FASCIA PANEL COLOR 1 - VERTICAL FLUSH - WEATHERED ZINC  
 FASCIA PANEL COLOR 2 - VERTICAL FLUSH - CLEAR ANODIZED  
 METAL COPING COLOR 1 - VERTICAL FLUSH - WEATHERED ZINC  
 METAL COPING COLOR 2 - VERTICAL FLUSH - CLEAR ANODIZED  
 ROOF SCREEN COLOR 1 - PERFORATED BOX RIB 1 - WEATHERED ZINC  
 ROOF SCREEN COLOR 2 - PERFORATED BOX RIB 3 - CLEAR ANODIZED



**1 SOUTH ELEVATION - FIRE ADMIN EL-1**  
1/8" = 1'-0"

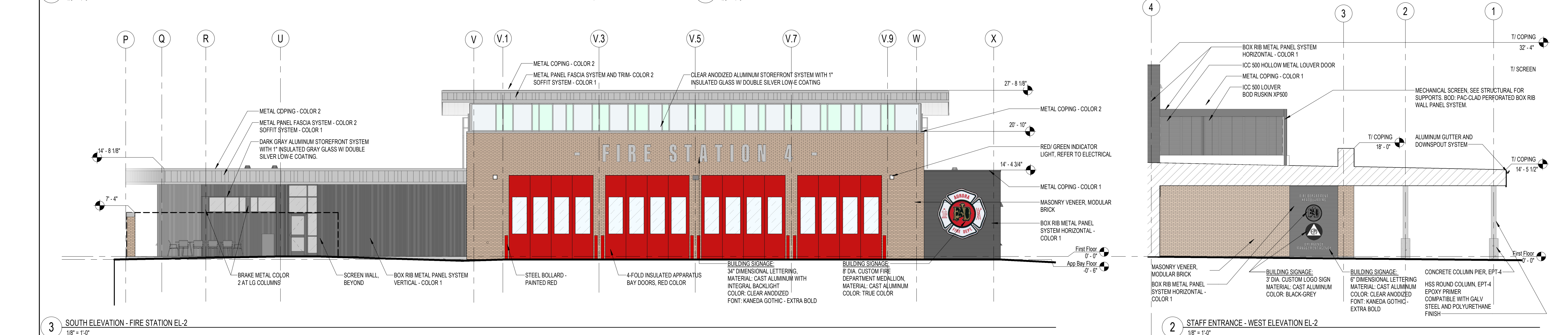
#	Description	Date

# ELEVATIONS



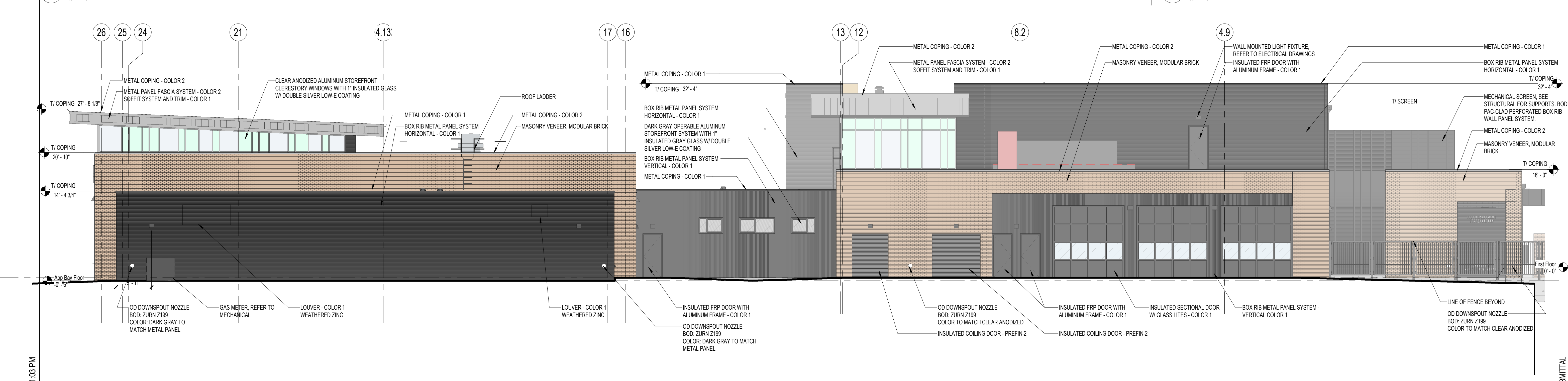
5 NORTH ELEVATION - FIRE STATION EL-2  
1/8" = 1'-0"

4 WEST ELEVATION - FIRE STATION EL-2  
1/8" = 1'-0"



3 SOUTH ELEVATION - FIRE STATION EL-2  
1/8" = 1'-0"

2 STAFF ENTRANCE - WEST ELEVATION EL-2  
1/8" = 1'-0"



1 EAST ELEVATION - FIRE STATION EL-2  
1/8" = 1'-0"

COPYRIGHT © CORDOGAN CLARK & ASSOCIATES, INC. 2025  
CC JOB NUMBER 231080

DATE 2025.02.07

REVISIONS:

#	Description	Date

DRAWING TITLE:  
**ELEVATIONS**

ZONING SUBMITTAL  
**EL-2**

# ELEVATIONS



ELEVATION DATA TABLE : MASONRY AND COMPOSITE METAL WALL AREA					
ELEVATION	WALL AREA TOTAL	WALL AREA FENESTRATION	WALL AREA MASONRY	WALL AREA METAL PANEL	PERCENTAGE MASONRY/METAL PANEL
NORTH ELEVATION - EMA (EL-1)	4,596 SF	340 SF	1,894 SF	2,382 SF	92.0%
NORTH ELEVATION - FS (EL-2)	2,138 SF	806 SF	783 SF	549 SF	62.0%
EAST ELEVATION - EMAFS (EL-2)	6,219 SF	1,003 SF	1,573 SF	3,643 SF	84.0%
SOUTH ELEVATION - EMA (EL-1)	4,159 SF	1,410 SF	1,528 SF	1,221 SF	66.0%
SOUTH ELEVATION - FS (EL-2)	3,106 SF	1,222 SF	839 SF	1,045 SF	60.0%
WEST ELEVATION - EMA (EL-1)	3,834 SF	1,622 SF	1,112 SF	1,100 SF	58.0%
WEST ELEVATION - FS (EL-2)	2,623 SF	336 SF	655 SF	1,632 SF	87.0%

COMMENTS:

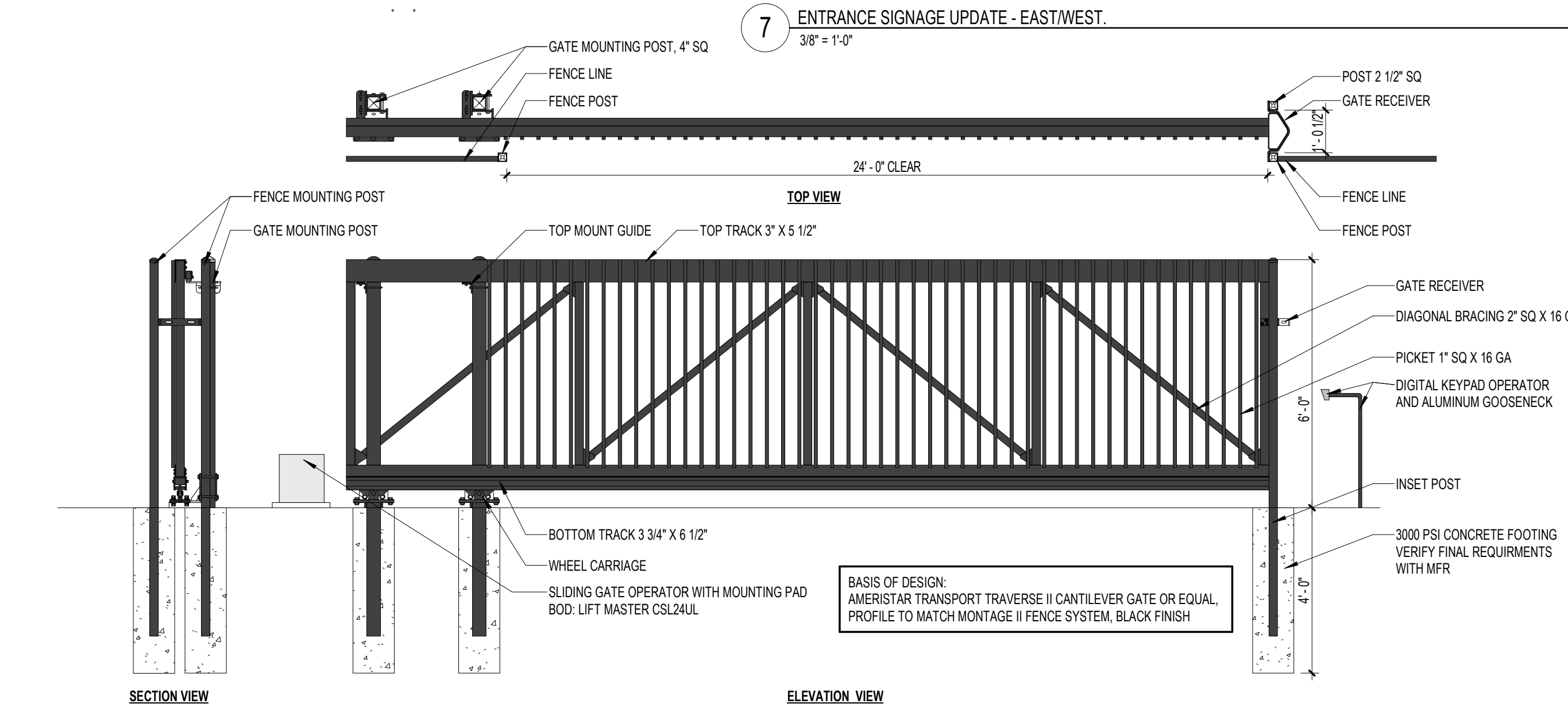
BUILDING ELEVATION MATERIAL LEGEND			
SYMBOL	DESCRIPTION	SYMBOL	DESCRIPTION
	BRICK VENEER BOD: ENDICOTT, MODULAR BRICK VENEER WITH COLORED MORTAR COLOR: DESERT IRONSPOT LIGHT SPEC. MIX. SM300 LIGHT BUFF OR SM610 AMBER		METAL PANEL FASCIA SYSTEM - COLOR 1: BOD: PAC-CLAD FLUSH WALL PANEL SYSTEM, FINISH: ALUMINUM 0.040, COLOR: PREMIUM METALLIC WEATHERED ZINC **SOFFIT COLOR 2: PREMIUM METALLIC SILVER
	BOX RIB METAL PANEL SYSTEM - COLOR 1 BOD: PAC-CLAD, VERTICAL BOX RIB 1 + BOX RIB 2 + BOX RIB 3 WALL PANEL SYSTEMS, FINISH: 24 GA STEEL COLOR: PREMIUM METALLIC WEATHERED ZINC		METAL COPING SYSTEM BOD: PAC-CLAD, PAC-TITE FINISH: ALUMINUM 0.032, COLOR 1: PREMIUM METALLIC WEATHERED ZINC COLOR 2: PREMIUM METALLIC SILVER
	BOX RIB METAL PANEL SYSTEM - COLOR 2 BOD: PAC-CLAD, HORIZONTAL BOX RIB 1 WALL PANEL SYSTEM, FINISH: ALUMINUM 0.032 COLOR: PREMIUM METALLIC WEATHERED ZINC		ROOF SCREEN SYSTEM BOD: PAC-CLAD, PERFORATED BOX RIB SYSTEM 1, TYPE B & F FINISH: ALUMINUM 0.032, COLOR: PREMIUM METALLIC WEATHERED ZINC
	IG-1 - 1" INSULATED CLEAR LOW-E GLASS		IPC-1 - 1" INSULATED POLYCARBONATE (STORM SHELTER)
	IG-3 - 1" INSULATED GREEN GLASS		GLASS WITH IMPACT RESISTANT FILM
	IG-4 - 1" INSULATED GRAY GLASS		

ELEVATION DATA TABLE : ELEVATIONS		
DESCRIPTION	VALUE	UNIT
A.) BUILDING HEIGHT IN FEET	32.0	FEET
B.) TOTAL BUILDING SQUARE FOOTAGE	36,200	SQUARE FEET
C.) FIRST FLOOR BUILDING SQUARE FOOTAGE	30,600	SQUARE FEET
D.) NUMBER OF STORIES	2	STORY

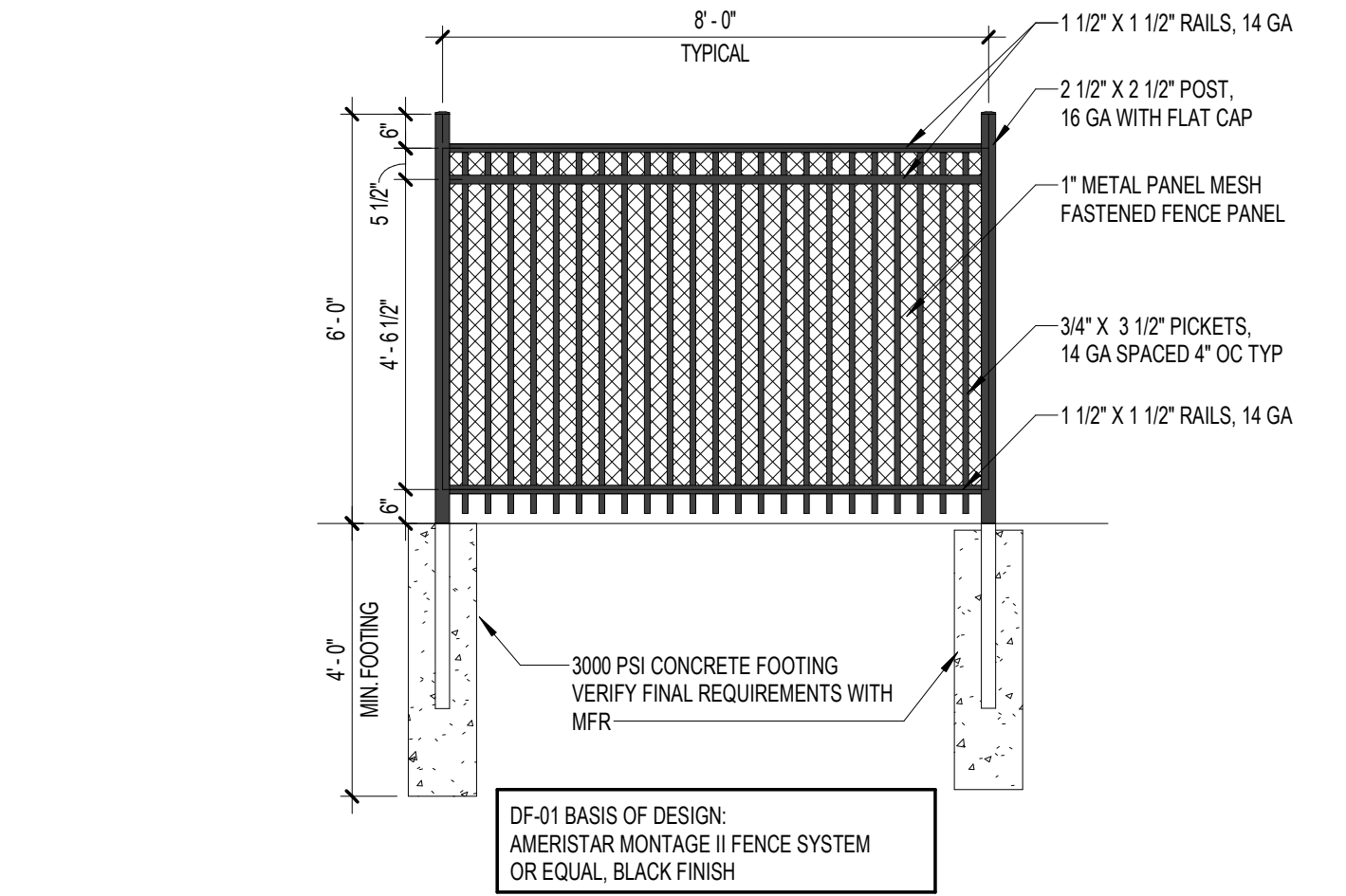
E.) EXTERIOR MATERIAL LIST (INCLUDING COLORS) FOR ALL BUILDINGS AND ACCESSORY STRUCTURES  
 BRICK - MODULAR RUNNING BOND - SANDSTONE LIGHT SMOOTH  
 BOX RIB METAL PANEL COLOR 1 - VERTICAL BOX RIB 1, 2, 3 - WEATHERED ZINC  
 BOX RIB METAL PANEL COLOR 1 - HORIZONTAL BOX RIB 1 - WEATHERED ZINC  
 BOX RIB METAL PANEL COLOR 2 - HORIZONTAL BOX RIB 1 - CLEAR ANODIZED  
 FASCIA PANEL COLOR 1 - VERTICAL FLUSH - WEATHERED ZINC  
 FASCIA PANEL COLOR 2 - VERTICAL FLUSH - CLEAR ANODIZED  
 METAL COPING COLOR 1 - VERTICAL FLUSH - WEATHERED ZINC  
 METAL COPING COLOR 2 - VERTICAL FLUSH - CLEAR ANODIZED  
 ROOF SCREEN COLOR 1 - PERFORATED BOX RIB 1 - WEATHERED ZINC  
 ROOF SCREEN COLOR 1 - PERFORATED BOX RIB 3 - CLEAR ANODIZED

\*REPLACE STONE SIGNAGE PANELS IN THEIR ENTIRETY ON BOTH EAST AND WEST SIDES OF MONUMENT SIGN. INTENT IS TO MATCH EXISTING LIMESTONE MATERIAL, FINISH, CONSTRUCTION AND ENGRAVING. CONTRACTOR TO VERIFY ALL CONDITIONS IN FIELD PRIOR TO SUBMITTALS AND PROCEEDING WITH WORK.

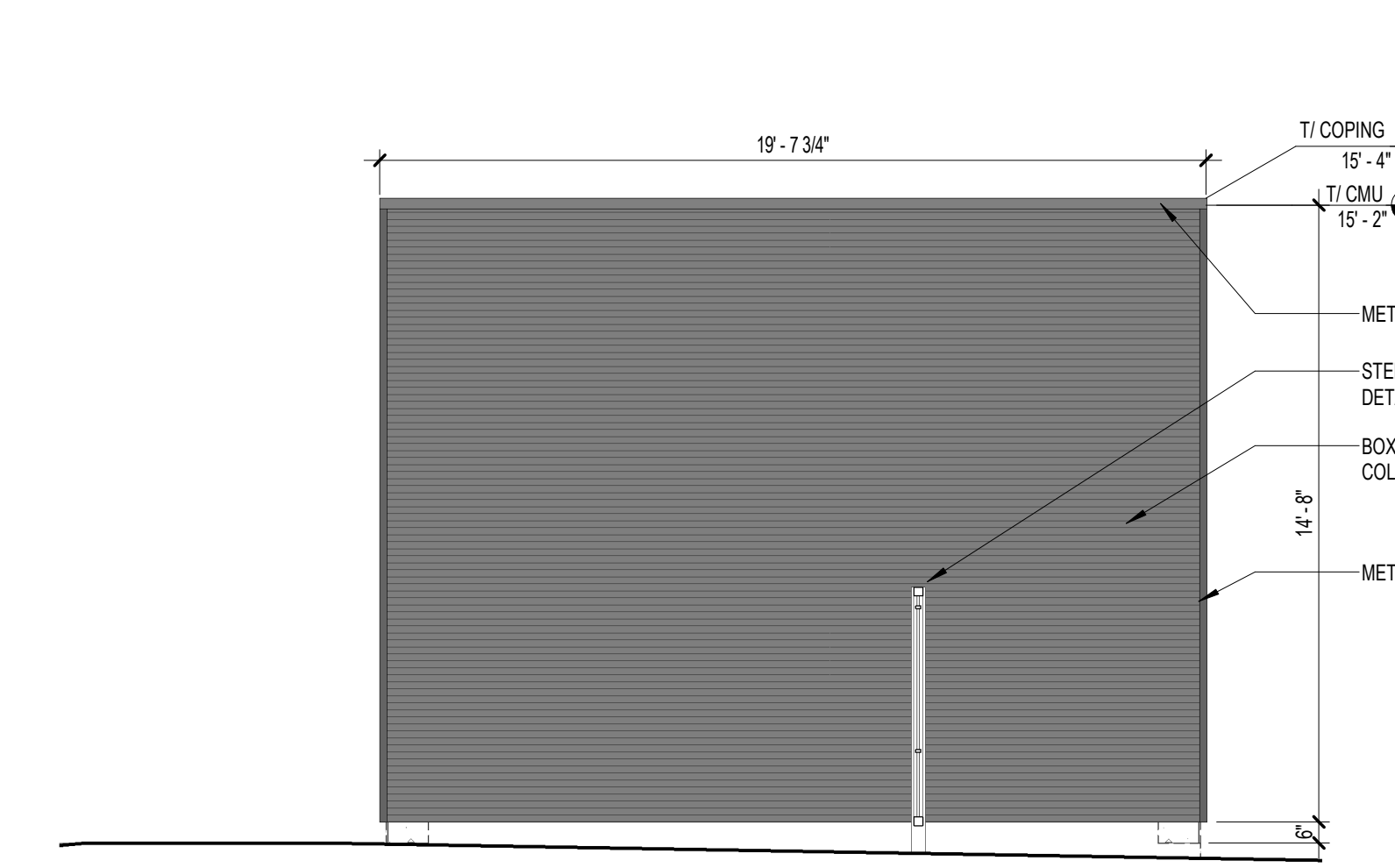
FONT: COPPERPLATE GOTHIC LIGHT, 85 WIDE, RECESSED BELOW BACKGROUND SURFACE  
 QUANTITY: 2 SIGN PANELS REQUIRED  
 TOP LINE: "AURORA PUBLIC SAFETY CAMPUS"  
 HEIGHT: 12.5', COLOR: DARK BROWN  
 BOTTOM LINE: "POLICE - FIRE - EMA - BRANCH COURT"  
 HEIGHT: 7', COLOR: DARK BROWN  
 LINE: 1" WIDE, M COLOR: DARK BROWN, RECESSED BELOW BACKGROUND SURFACE



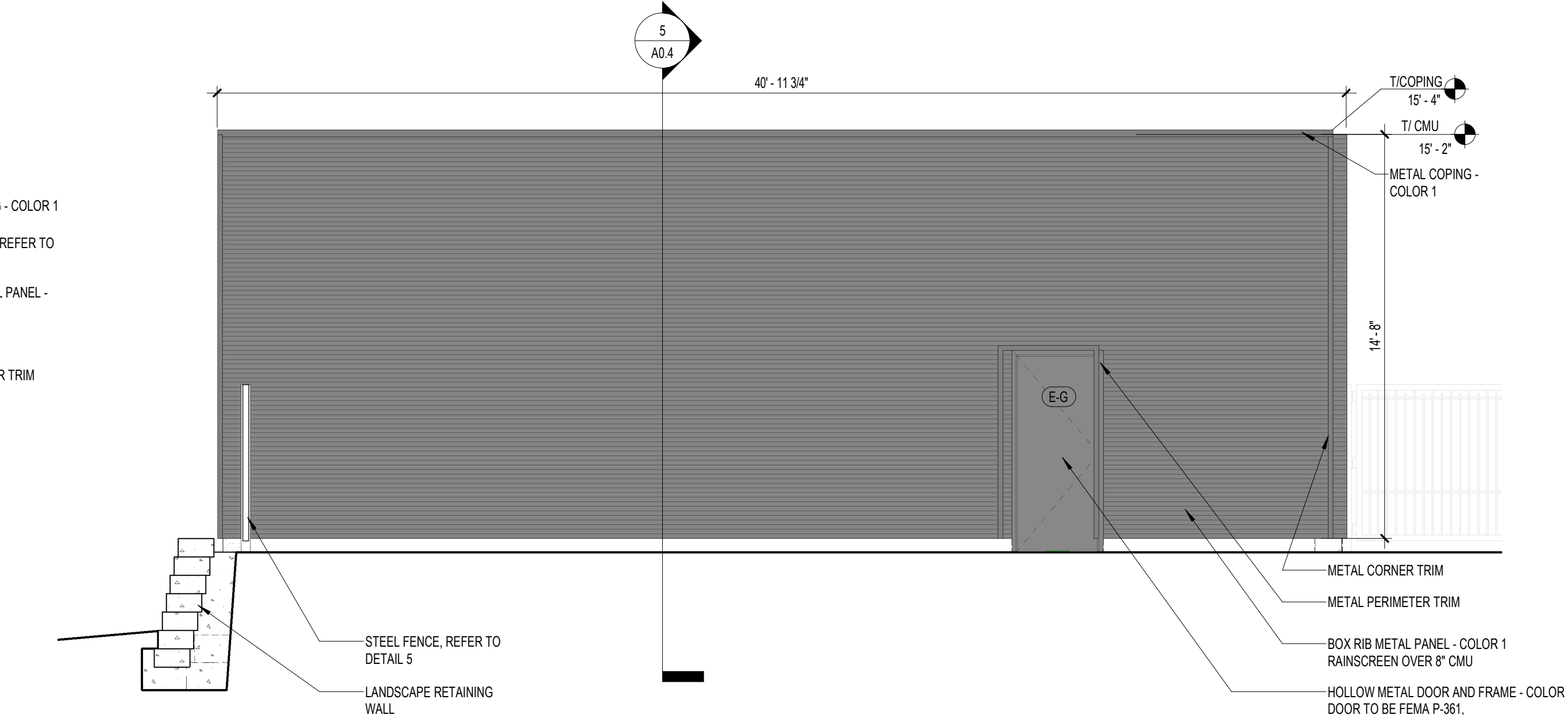
6 CANTILEVER GATE DETAIL  
3/8" = 1'-0"



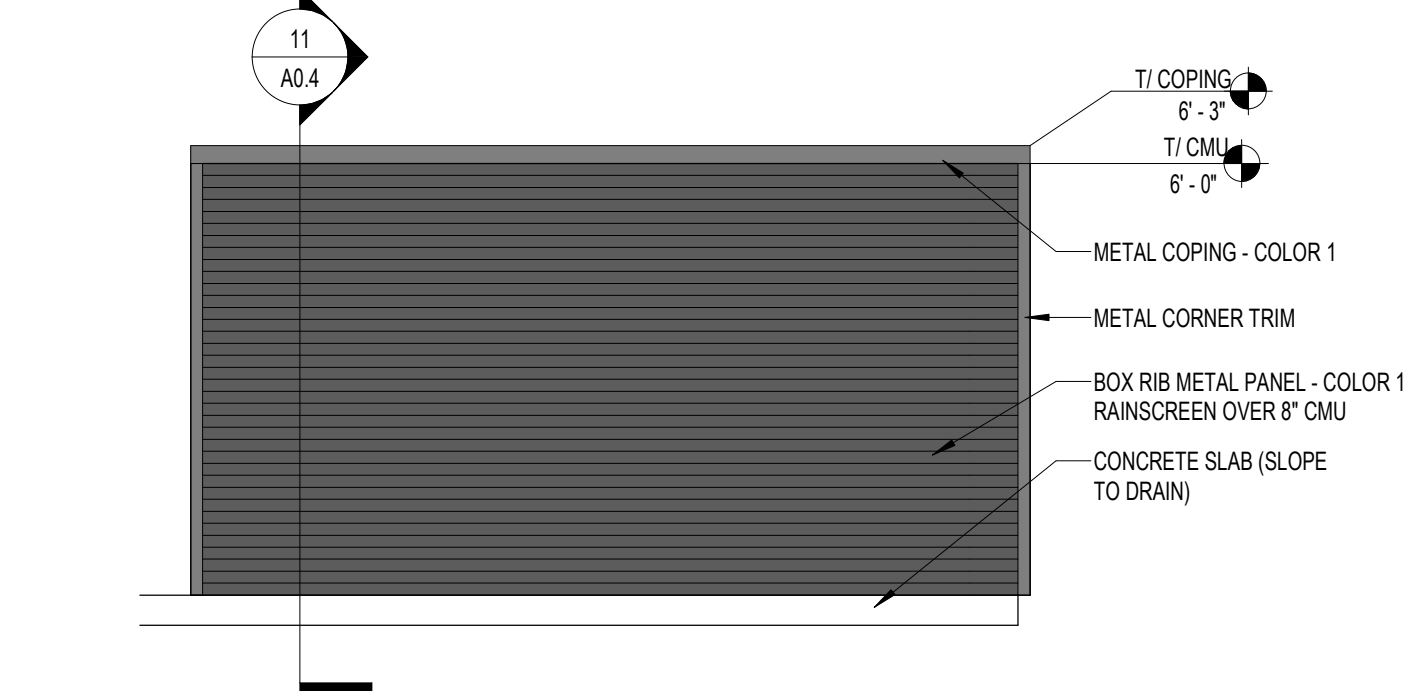
5 FENCE DETAIL  
3/8" = 1'-0"



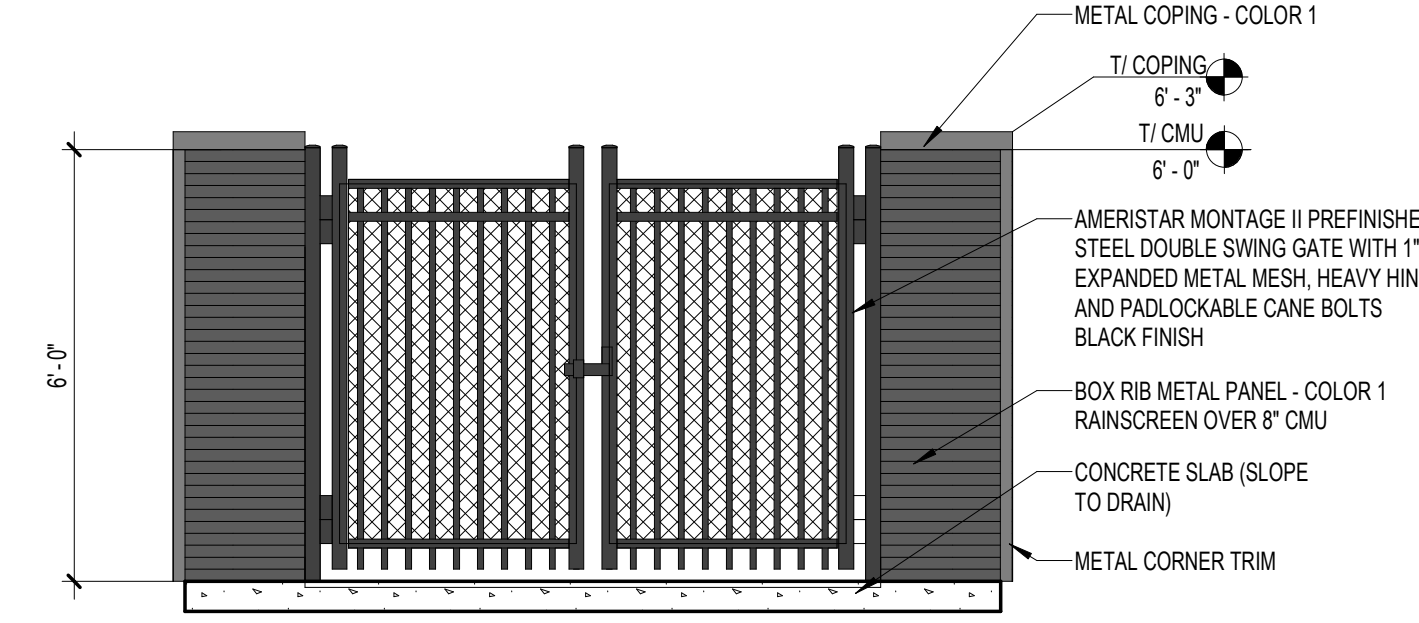
3 GENERATOR ENCLOSURE - SOUTH ELEVATION  
1/4" = 1'-0"



2 GENERATOR ENCLOSURE - WEST ELEVATION  
1/4" = 1'-0"



4 TRASH ENCLOSURE SOUTH ELEVATION  
3/8" = 1'-0"



1 TRASH ENCLOSURE WEST ELEVATION  
3/8" = 1'-0"

REVISIONS:		
#	Description	Date

# ELEVATIONS

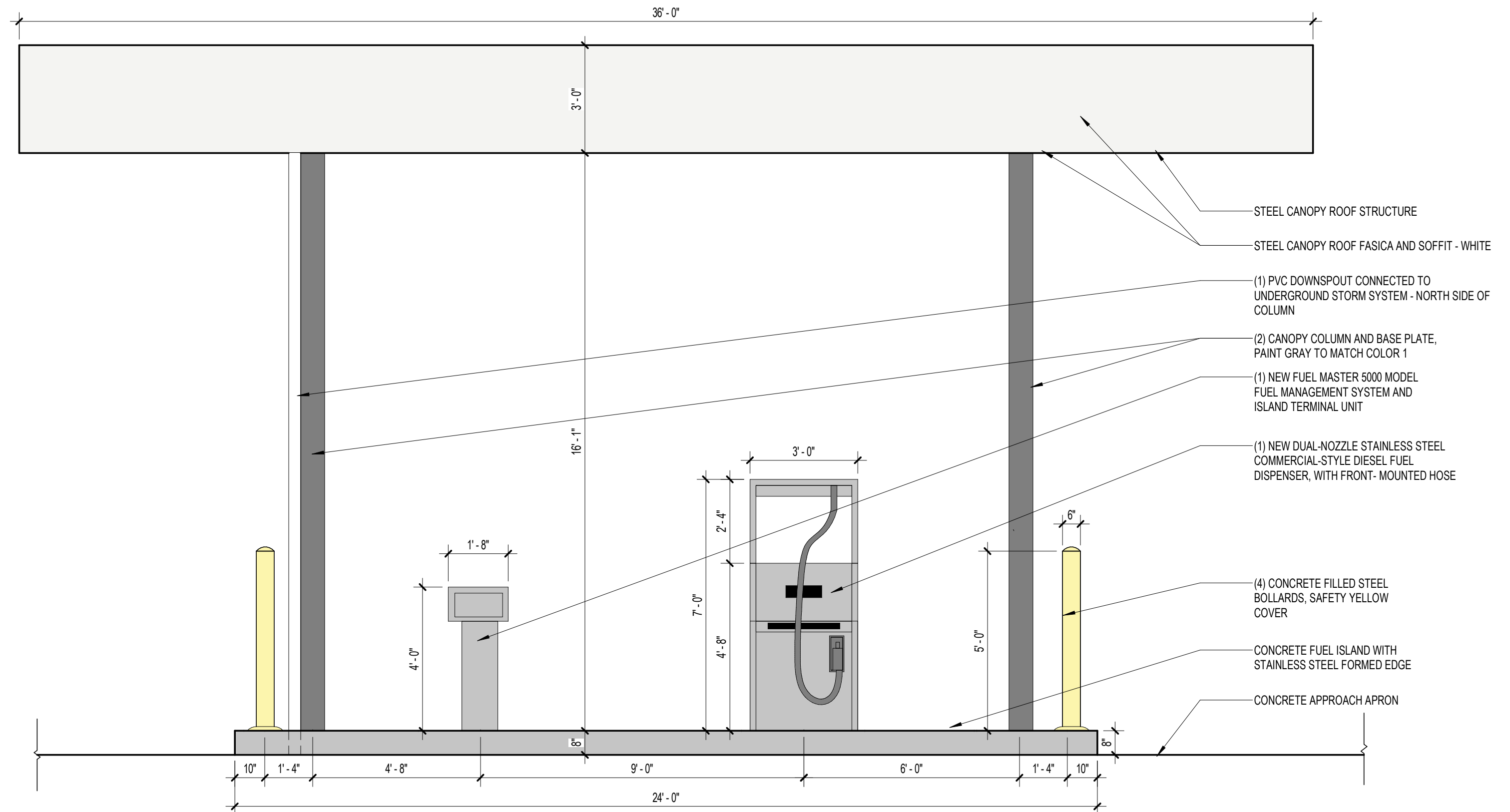
ELEVATION DATA TABLE : MASONRY AND COMPOSITE METAL WALL AREA					
ELEVATION	WALL AREA TOTAL	WALL AREA FENESTRATION	WALL AREA MASONRY	WALL AREA METAL PANEL	PERCENTAGE MASONRY/METAL PANEL
NORTH ELEVATION - EMA (EL-1)	4,596 SF	340 SF	1,894 SF	2,382 SF	92.0%
NORTH ELEVATION - FS (EL-2)	2,138 SF	806 SF	783 SF	549 SF	62.0%
EAST ELEVATION - EMAFS (EL-2)	6,219 SF	1,003 SF	1,573 SF	3,643 SF	84.0%
SOUTH ELEVATION - EMA (EL-1)	4,159 SF	1,410 SF	1,528 SF	1,221 SF	66.0%
SOUTH ELEVATION - FS (EL-2)	3,106 SF	1,222 SF	839 SF	1,045 SF	60.0%
WEST ELEVATION - EMA (EL-1)	3,834 SF	1,622 SF	1,112 SF	1,100 SF	58.0%
WEST ELEVATION - FS (EL-2)	2,623 SF	336 SF	655 SF	1,632 SF	87.0%

COMMENTS:

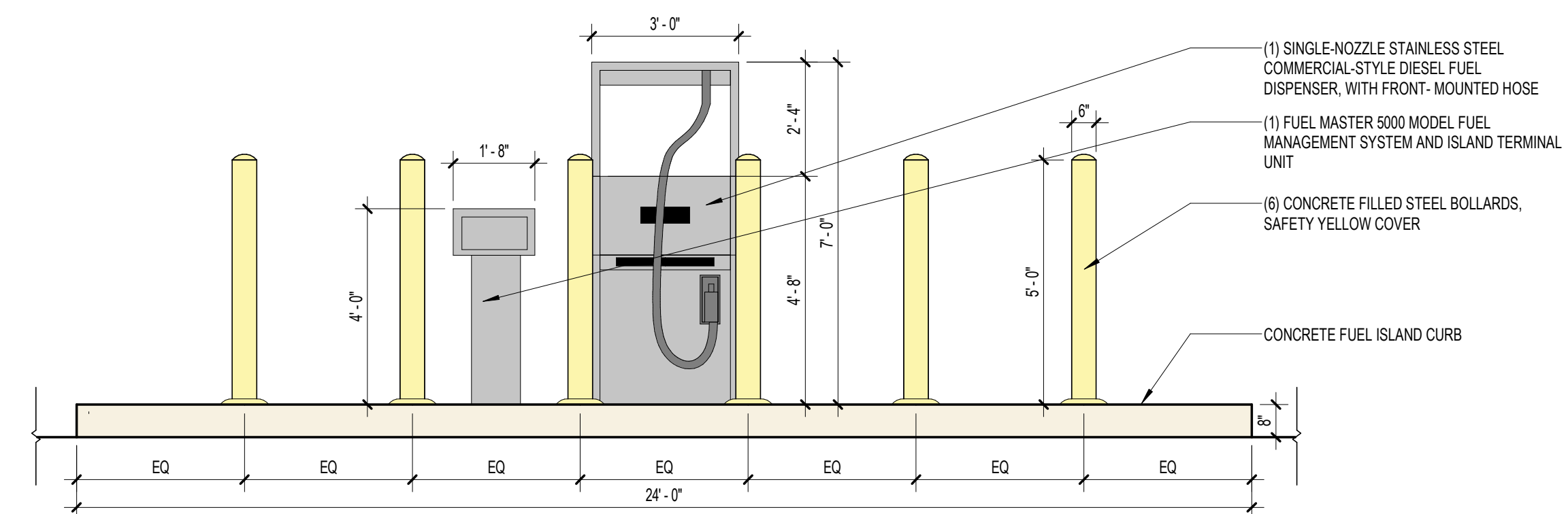
ELEVATION DATA TABLE : ELEVATIONS		
DESCRIPTION	VALUE	UNIT
A.) BUILDING HEIGHT IN FEET	32.0	FEET
B.) TOTAL BUILDING SQUARE FOOTAGE	36,200	SQUARE FEET
C.) FIRST FLOOR BUILDING SQUARE FOOTAGE	30,600	SQUARE FEET
D.) NUMBER OF STORIES	2	STORY

E.) EXTERIOR MATERIAL LIST (INCLUDING COLORS) FOR ALL BUILDINGS AND ACCESSORY STRUCTURES  
 BRICK - MODULAR RUNNING BOND - SANDSTONE LIGHT SMOOTH  
 BOX RIB METAL PANEL COLOR 1 - VERTICAL BOX RIB 1 2, 3 - WEATHERED ZINC  
 BOX RIB METAL PANEL COLOR 1 - HORIZONTAL BOX RIB 1 - WEATHERED ZINC  
 BOX RIB METAL PANEL COLOR 2 - HORIZONTAL BOX RIB 1 - CLEAR ANODIZED  
 BOX RIB METAL PANEL COLOR 2 - VERTICAL FLUSH - WEATHERED ZINC  
 FASCIA PANEL COLOR 1 - VERTICAL FLUSH - WEATHERED ZINC  
 FASCIA PANEL COLOR 2 - VERTICAL FLUSH - CLEAR ANODIZED  
 METAL COPING COLOR 1 - VERTICAL FLUSH - WEATHERED ZINC  
 METAL COPING COLOR 2 - VERTICAL FLUSH - CLEAR ANODIZED  
 ROOF SCREEN COLOR 1 - PERFORATED BOX RIB 1 - WEATHERED ZINC  
 ROOF SCREEN COLOR 1 - PERFORATED BOX RIB 3 - CLEAR ANODIZED

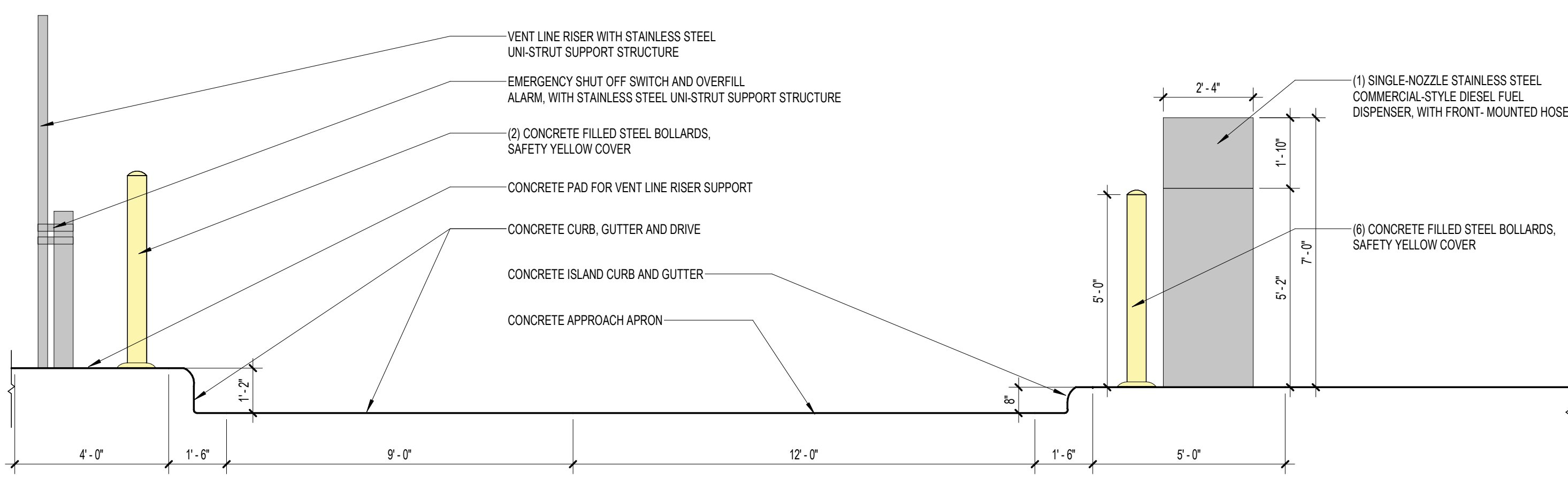
BUILDING ELEVATION MATERIAL LEGEND			
SYMBOL	DESCRIPTION	SYMBOL	DESCRIPTION
	BRICK VENEER BOD: ENDICOTT, MODULAR BRICK VENEER WITH COLORED MORTAR COLOR: DESERT IRONSPOT LIGHT SPEC. MIX. SM300 LIGHT BUFF OR SM610 AMBER		METAL PANEL FASCIA SYSTEM - COLOR 1: BOD: PAC-CLAD FLUSH WALL PANEL SYSTEM, FINISH: ALUMINUM 0.040. COLOR: PREMIUM METALLIC WEATHERED ZINC **SOFFIT COLOR 2: PREMIUM METALLIC SILVER
	BOX RIB METAL PANEL SYSTEM - COLOR 1 BOD: PAC-CLAD, VERTICAL BOX RIB 1 + BOX RIB 2 + BOX RIB 3 WALL PANEL SYSTEMS, FINISH: 24 GA STEEL COLOR: PREMIUM METALLIC WEATHERED ZINC		METAL PANEL FASCIA SYSTEM - COLOR 2: PAC-CLAD FLUSH WALL PANEL SYSTEM, FINISH: ALUMINUM 0.032. COLOR: PREMIUM METALLIC SILVER **SOFFIT COLOR 1: WEATHERED ZINC
	BOX RIB METAL PANEL SYSTEM - COLOR 1 BOD: PAC-CLAD, HORIZONTAL BOX RIB 1 WALL PANEL SYSTEM, FINISH: ALUMINUM 0.032 COLOR: PREMIUM METALLIC WEATHERED ZINC		METAL COPING SYSTEM BOD: PAC-CLAD, PAC-TITE FINISH: ALUMINUM 0.032. COLOR 1: PREMIUM METALLIC WEATHERED ZINC COLOR 2: PREMIUM METALLIC SILVER
	BOX RIB METAL PANEL SYSTEM - COLOR 2 BOD: PAC-CLAD, HORIZONTAL BOX RIB 1 WALL PANEL SYSTEM, FINISH: ALUMINUM 0.032 COLOR: PREMIUM METALLIC SILVER		ROOF SCREEN SYSTEM: BOD: PAC-CLAD, PERFORATED BOX RIB SYSTEM 1, TYPE B & F FINISH: ALUMINUM 0.032. COLOR: PREMIUM METALLIC WEATHERED ZINC
	IG-1 - 1" INSULATED CLEAR LOW-E GLASS		IPC-1 - 1" INSULATED POLYCARBONATE (STORM SHELTER)
	IG-3 - 1" INSULATED GREEN GLASS		GLASS WITH IMPACT RESISTANT FILM
	IG-4 - 1" INSULATED GRAY GLASS		



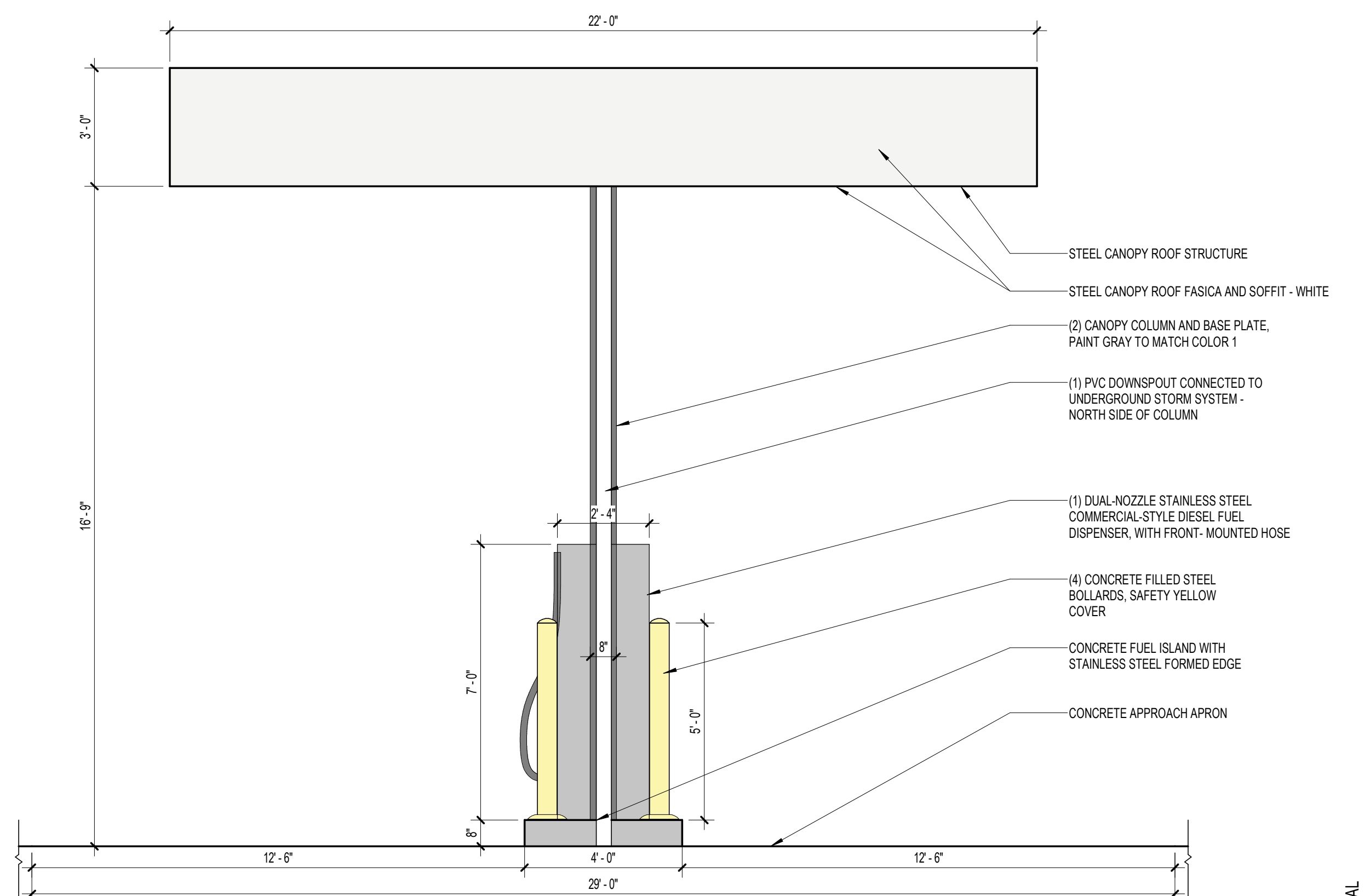
2 NEW UNLEADED FUEL STATION WITH CANOPY - EAST ELEVATION  
3/8" = 1'-0"



4 NEW DIESEL FUEL STATION - EAST ELEVATION  
3/8" = 1'-0"



3 NEW DIESEL FUEL STATION - NORTH ELEVATION  
3/8" = 1'-0"



1 NEW UNLEADED FUEL STATION WITH CANOPY - NORTH ELEVATION  
3/8" = 1'-0"

REVISIONS:		
#	Description	Date

DRAWING TITLE:  
ELEVATIONS