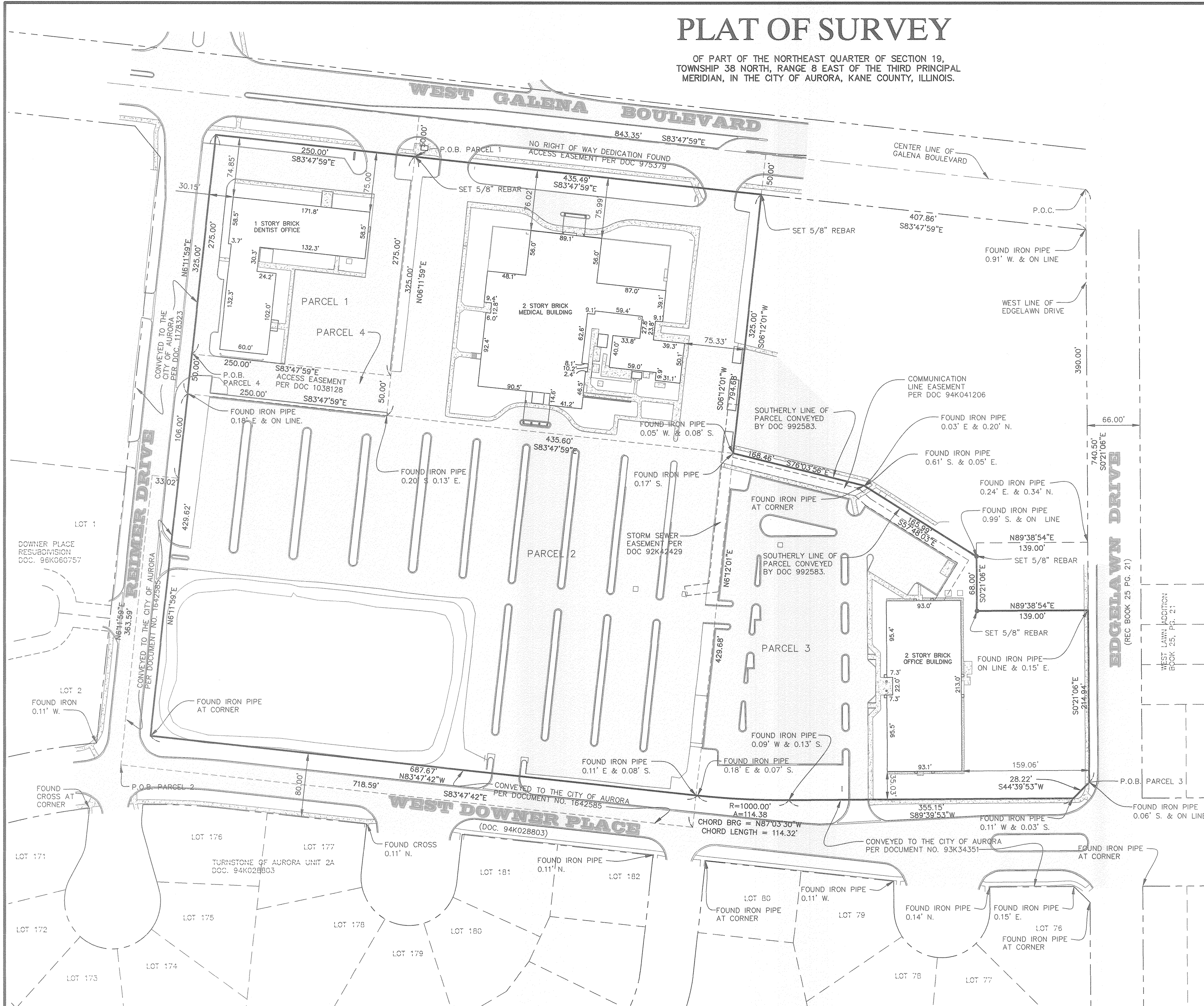
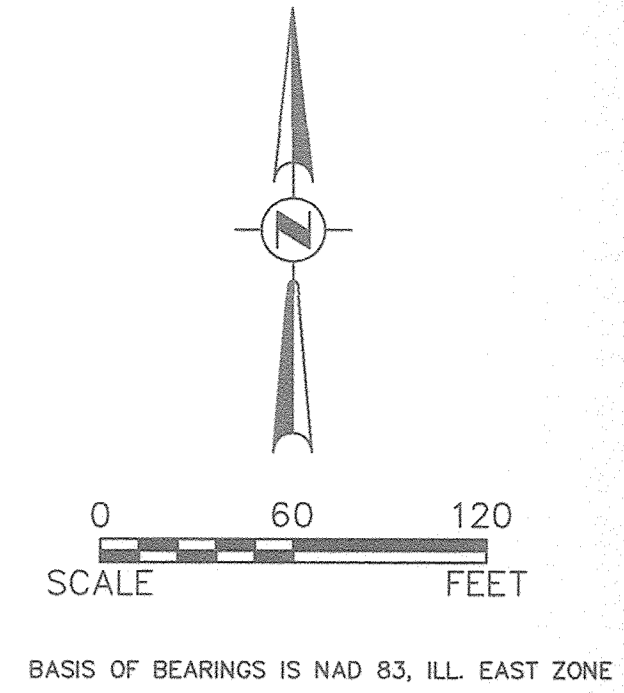


# PLAT OF SURVEY

OF PART OF THE NORTHEAST QUARTER OF SECTION 19,  
TOWNSHIP 38 NORTH, RANGE 8 EAST OF THE THIRD PRINCIPAL  
MERIDIAN, IN THE CITY OF AURORA, KANE COUNTY, ILLINOIS.



**PARCEL 1:**  
THAT PART OF THE NORTHEAST QUARTER OF SECTION 19, TOWNSHIP 38 NORTH, RANGE 8 EAST OF THE THIRD PRINCIPAL MERIDIAN, DESCRIBED AS FOLLOWS: COMMENCING AT THE POINT OF INTERSECTION OF THE CENTER LINE OF GALENA BOULEVARD WITH THE EAST LINE OF SAID NORTHEAST QUARTER; THENCE SOUTH ALONG THE EAST LINE OF SAID NORTHEAST QUARTER 50.33 FEET; THENCE WESTERLY PARALLEL WITH THE CENTER LINE OF SAID GALENA BOULEVARD 843.46 FEET FOR THE POINT OF BEGINNING; THENCE SOUTHERLY AT RIGHT ANGLES TO THE LAST DESCRIBED COURSE, 275 FEET; THENCE WESTERLY AT RIGHT ANGLES TO THE LAST DESCRIBED COURSE 250 FEET; THENCE NORTHERLY AT RIGHT ANGLES TO THE LAST DESCRIBED COURSE 275 FEET; THENCE EASTERLY AT RIGHT ANGLES TO THE LAST DESCRIBED COURSE, 250 FEET TO THE POINT OF BEGINNING, IN THE TOWNSHIP OF AURORA, KANE COUNTY, ILLINOIS.

**PARCEL 2:**  
THAT PART OF THE NORTH EAST 1/4 OF SECTION 19, TOWNSHIP 38 NORTH, RANGE 8 EAST OF THE THIRD PRINCIPAL MERIDIAN, DESCRIBED AS FOLLOWS: BEGINNING AT A POINT ON THE SOUTHERLY EXTENSION OF THE CENTER LINE OF NORTH KINGSWAY DRIVE AS CONVEYED TO THE CITY OF AURORA, KANE COUNTY, ILLINOIS, FOR STREET PURPOSES, BY DOCUMENT NUMBER 1178323, SAID POINT LYING 844.59 FEET SOUTHERLY OF THE CENTER LINE OF GALENA BOULEVARD; THENCE NORTHERLY ALONG SAID SOUTHERLY EXTENSION 363.59 FEET TO THE SOUTH LINE OF SAID NORTH KINGSWAY DRIVE; THENCE EASTERLY, ALONG SAID SOUTH LINE 33.02 FEET TO THE EAST LINE OF SAID NORTH KINGSWAY DRIVE; THENCE NORTHERLY, ALONG SAID EAST LINE 106.00 FEET TO A POINT 175 FEET SOUTHERLY OF THE SAID CENTER LINE OF GALENA BOULEVARD; THENCE EASTERLY PARALLEL TO SAID CENTER LINE 250 FEET; THENCE NORTHERLY, PARALLEL WITH SAID EAST LINE 325.00 FEET TO A POINT ON A LINE LYING 50.00 FEET SOUTHERLY OF, AND PARALLEL WITH SAID CENTER LINE OF GALENA BOULEVARD; THENCE EASTERLY, ALONG SAID PARALLEL LINE 435.60 FEET THENCE SOUTHERLY PARALLEL WITH SAID EAST LINE 794.59 FEET; THENCE WESTERLY, PARALLEL WITH SAID CENTER LINE 718.63 FEET TO THE POINT OF BEGINNING, IN THE CITY OF AURORA.

**PARCEL 3:**  
THAT PART OF THE NORTHEAST 1/4 OF SECTION 19, TOWNSHIP 38 NORTH, RANGE 8, EAST OF THE THIRD PRINCIPAL MERIDIAN, DESCRIBED AS FOLLOWS: COMMENCING AT THE SOUTHEAST CORNER OF THE NORTHEAST 1/4 OF SAID SECTION 19; THENCE NORTH 00 DEGREES 08 MINUTES 39 SECONDS EAST ALONG THE EAST LINE OF THE NORTHEAST 1/4 OF SAID SECTION 19, 982.95 FEET TO THE NORTH LINE OF WEST DOWNER PLACE PER TRUSTEE'S DEED RECORDED MAY 17, 1993 AS DOCUMENT NO. 93K34351, SAID POINT BEING THE PLACE OF BEGINNING; THE FOLLOWING 4 COURSES ARE ALONG THE NORTHERLY LINE OF SAID WEST DOWNER PLACE, THENCE SOUTH 45 DEGREES 08 MINUTES 39 SECONDS WEST, 28.28 FEET TO AN ANGLE POINT IN SAID LINE; THENCE NORTH 89 DEGREES 51 MINUTES 21 SECONDS WEST, 355.15 FEET TO A POINT OF CURVATURE IN SAID LINE; THENCE WESTERLY ALONG A CURVED LINE CONVEX SOUTHERLY, HAVING A RADIUS OF 1000.00 FEET AND BEING TANGENT TO SAID LAST DESCRIBED LINE AT SAID LAST DESCRIBED POINT, AN ARC DISTANCE OF 114.16 FEET TO A POINT OF TANGENCY IN SAID LINE (THE CHORD OF SAID ARC BEARS NORTH 86 DEGREES 35 MINUTES 07 SECONDS WEST 114.10 FEET); THENCE NORTH 83 DEGREES 18 MINUTES 54 SECONDS WEST ALONG A LINE TANGENT TO SAID LAST DESCRIBED CURVED LINE AT SAID LAST DESCRIBED POINT, 2.11 FEET TO THE EASTERLY LINE OF A TRACT OF LAND CONVEYED BY DOCUMENT NO. 1640313; THENCE NORTH 06 DEGREES 41 MINUTES 06 SECONDS EAST ALONG SAID LAST DESCRIBED EASTERLY LINE 429.59 FEET TO THE NORTHEASTERLY CORNER OF SAID TRACT OF LAND CONVEYED BY DOCUMENT NO. 1640313, BEING ALSO THE SOUTHWESTERLY CORNER OF A TRACT OF LAND CONVEYED BY DOCUMENT NO. 992583; THENCE FOLLOWING 4 COURSES ARE ALONG THE SOUTHERLY LINE OF SAID TRACT OF LAND CONVEYED BY DOCUMENT NO. 992583; THENCE SOUTH 75 DEGREES 37 MINUTES 45 SECONDS EAST, 168.48 FEET; THENCE SOUTH 57 DEGREES 20 MINUTES 45 SECONDS EAST, 155.91 FEET; THENCE SOUTH 00 DEGREES 08 MINUTES 39 SECONDS WEST, 68.00 FEET; THENCE SOUTH 89 DEGREES 51 MINUTES 21 SECONDS EAST, 139.00 FEET TO THE EAST LINE OF THE NORTHEAST 1/4 OF SAID SECTION 19; THENCE SOUTH 00 DEGREES 08 MINUTES 39 SECONDS WEST ALONG THE EAST LINE OF THE NORTHEAST 1/4 OF SAID SECTION 19, 214.97 FEET TO THE PLACE OF BEGINNING, IN THE CITY OF AURORA, KANE COUNTY, ILLINOIS.

**PARCEL 4:**  
THAT PART OF THE NORTHEAST 1/4 OF SECTION 19, TOWNSHIP 38 NORTH, RANGE 8 EAST OF THE THIRD PRINCIPAL MERIDIAN, DESCRIBED AS FOLLOWS: BEGINNING AT A POINT ON THE EAST LINE OF NORTH KINGSWAY DRIVE, 325 FEET SOUTHERLY OF CENTER LINE OF GALENA BOULEVARD AS MEASURED ALONG SAID EAST LINE AND SAID EAST LINE EXTENDED; HENCE SOUTH 83 DEGREES 17 MINUTES, 00 SECONDS EAST PARALLEL WITH SAID CENTER LINE, 250 FEET; THENCE SOUTH 06 DEGREES, 43 MINUTES, 00 SECONDS WEST PARALLEL WITH SAID EAST LINE, 50 FEET; THENCE NORTH 83 DEGREES, 17 MINUTES, 00 SECONDS WEST PARALLEL WITH SAID CENTER LINE, 250 FEET TO SAID EAST LINE; THENCE NORTH 06 DEGREES, 43 MINUTES, 00 SECONDS EAST ALONG SAID EAST LINE 50 FEET TO THE POINT OF BEGINNING, IN THE CITY OF AURORA, KANE COUNTY, ILLINOIS.

STATE OF ILLINOIS) )SS  
COUNTY OF KANE)

THIS IS TO CERTIFY THAT WE, ENGINEERING ENTERPRISES INC., HAVE PERFORMED A BOUNDARY SURVEY OF THE PROPERTY DESCRIBED IN THE ABOVE LEGAL DESCRIPTION, AS SHOWN BY THE ANNEXED PLAT, WHICH IS A TRUE AND CORRECT REPRESENTATION OF SAID SURVEY. ALL DISTANCES SHOWN ARE IN FEET AND DECIMALS THEREOF. THIS PROFESSIONAL SERVICE CONFORMS TO THE CURRENT ILLINOIS MINIMUM STANDARDS FOR A BOUNDARY SURVEY. FIELD WORK PERFORMED FEBRUARY 22-29, 2016.

GIVEN UNDER MY HAND AND SEAL AT SUGAR GROVE, ILLINOIS, THIS 14TH DAY OF MARCH, 2016.

BY:   
MARK G. SCHELLER  
PROFESSIONAL LAND SURVEYOR #3581  
(EXPIRES 11-30-16)

ENGINEERING ENTERPRISES, INC.  
PROFESSIONAL DESIGN FIRM #184-002003  
(EXPIRES 04-30-17)



**Engineering Enterprises, Inc.**  
CONSULTING ENGINEERS  
52 Wheeler Road  
Sugar Grove, Illinois 60554  
630.466.6700 / www.eeiweb.com

**WEST AURORA SCHOOL DIST. 129**  
80 SOUTH RIVER STREET  
AURORA, IL. 60506

NO.	DATE	REVISIONS

PART OF THE NORTHEAST QUARTER OF SECTION 19,  
TOWNSHIP 38 NORTH, RANGE 8 EAST OF THE THIRD  
PRINCIPAL MERIDIAN, IN THE CITY OF AURORA, KANE  
COUNTY, ILLINOIS.

**PLAT OF SURVEY**

DATE: MACH 14, 2016  
PROJECT NO. P15046  
FILE NO P15046-PLAT OF SURVEY  
**PAGE 1 OF 1**