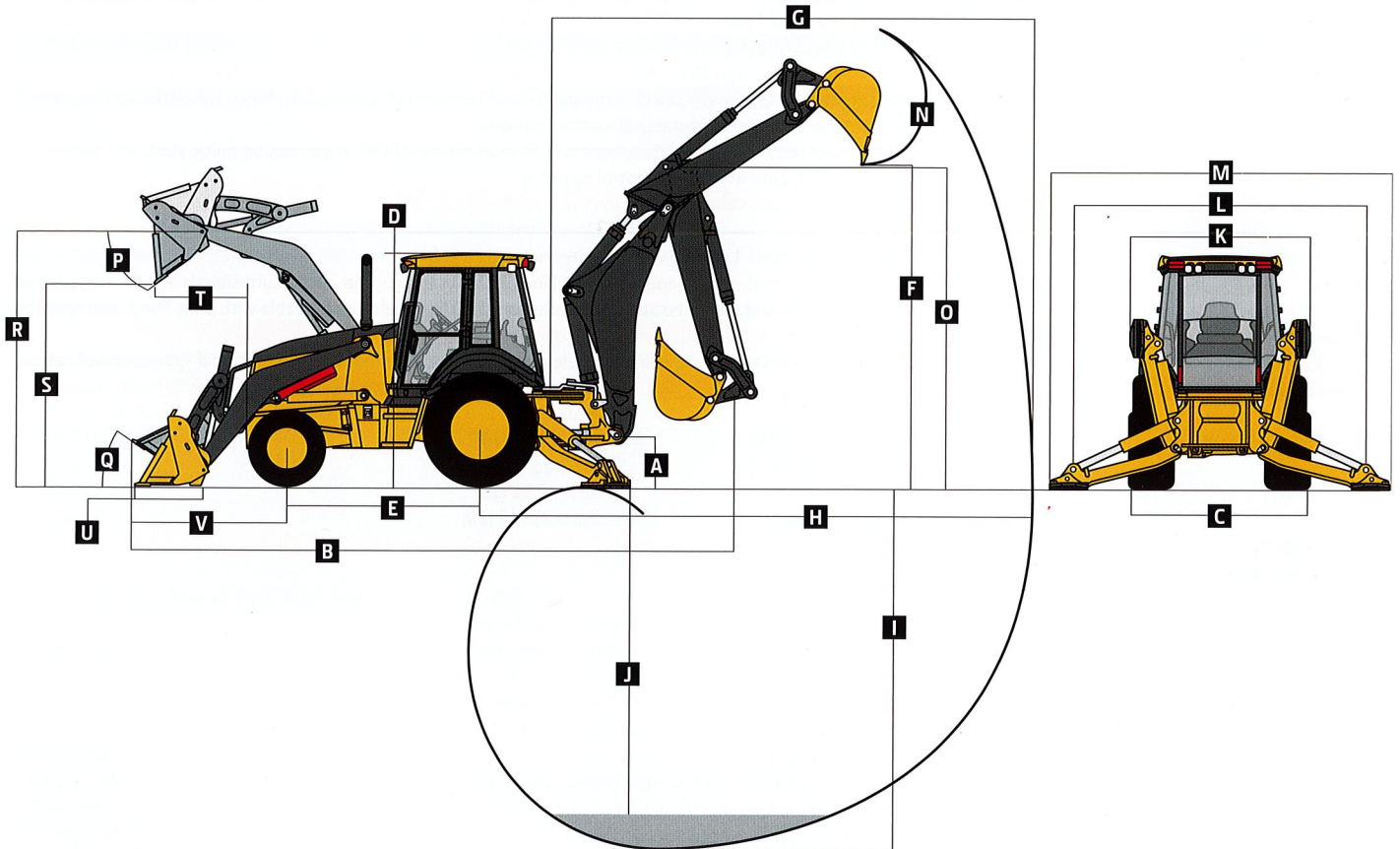


Overall Dimensions	710L
A Ground Clearance, Minimum	356 mm (14 in.)
B Overall Length, Transport	8.23 m (27 ft. 0 in.)
C Width Over Tires	2.29 m (7 ft. 6 in.)
D Height to Top of ROPS/Cab	2.97 m (9 ft. 9 in.)
E Length from Axle to Axle	
Non-Powered Front Axle	2.58 m (8 ft. 5 in.)
MFWD Axle	2.55 m (8 ft. 4 in.)



Backhoe Dimensions and Performance

Backhoe specifications are with 610-mm x 0.31-m³ (24 in. x 11 cu. ft.) bucket; dipper lift specs are with a boom angle of 65 deg.

Bucket Range	610–914 mm (24–36 in.)
Digging Force	
Bucket Cylinder	78.4 kN (17,622 lb.)
Lift Mode	84.3 kN (18,959 lb.)
Crowd Cylinder	53.4 kN (11,999 lb.)
Lift Mode	57.4 kN (12,910 lb.)
Swing Arc	180 deg.
Operator Control	Pilot control

With Optional Extendable Dipperstick

	With Standard Backhoe	Retracted	Extended
F Loading Height, Truck Loading Position	4.45 m (14 ft. 7 in.)	4.49 m (14 ft. 9 in.)	5.35 m (17 ft. 6 in.)
G Reach from Center of Swing Pivot	6.84 m (22 ft. 5 in.)	6.84 m (22 ft. 5 in.)	8.15 m (26 ft. 9 in.)
H Reach from Center of Rear Axle	8.11 m (26 ft. 7 in.)	8.11 m (26 ft. 7 in.)	9.42 m (30 ft. 11 in.)
I Digging Depth (SAE maximum)	5.26 m (17 ft. 3 in.)	5.26 m (17 ft. 3 in.)	6.63 m (21 ft. 9 in.)
J Digging Depth (SAE)			
610-mm (2 ft.) Flat Bottom	5.25 m (17 ft. 3 in.)	5.25 m (17 ft. 2 in.)	6.62 m (21 ft. 8 in.)
2440-mm (8 ft.) Flat Bottom	4.96 m (16 ft. 3 in.)	4.96 m (16 ft. 3 in.)	6.40 m (21 ft. 0 in.)
K Stabilizer Width, Transport	2.41 m (7 ft. 11 in.)	2.41 m (7 ft. 11 in.)	2.41 m (7 ft. 11 in.)
L Stabilizer Spread, Operating	3.99 m (13 ft. 1 in.)	3.99 m (13 ft. 1 in.)	3.99 m (13 ft. 1 in.)
M Stabilizer Overall Width, Operating	4.65 m (15 ft. 3 in.)	4.65 m (15 ft. 3 in.)	4.65 m (15 ft. 3 in.)
N Bucket Rotation	190 deg.	190 deg.	190 deg.
O Transport Height	4.23 m (13 ft. 10 in.)	4.23 m (13 ft. 10 in.)	4.23 m (13 ft. 10 in.)

Loader Dimensions and Performance

P Bucket Dump Angle, Maximum	45 deg.
Q Rollback Angle at Ground Level	40 deg.