

AURORA FIRE DEPARTMENT

AURORA, IL

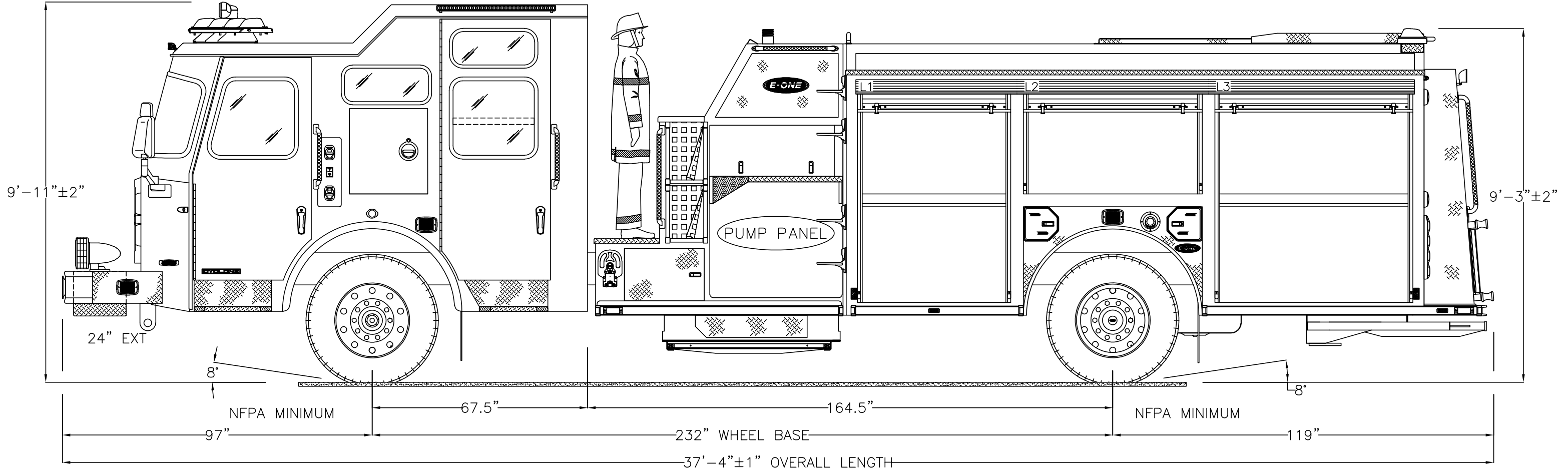
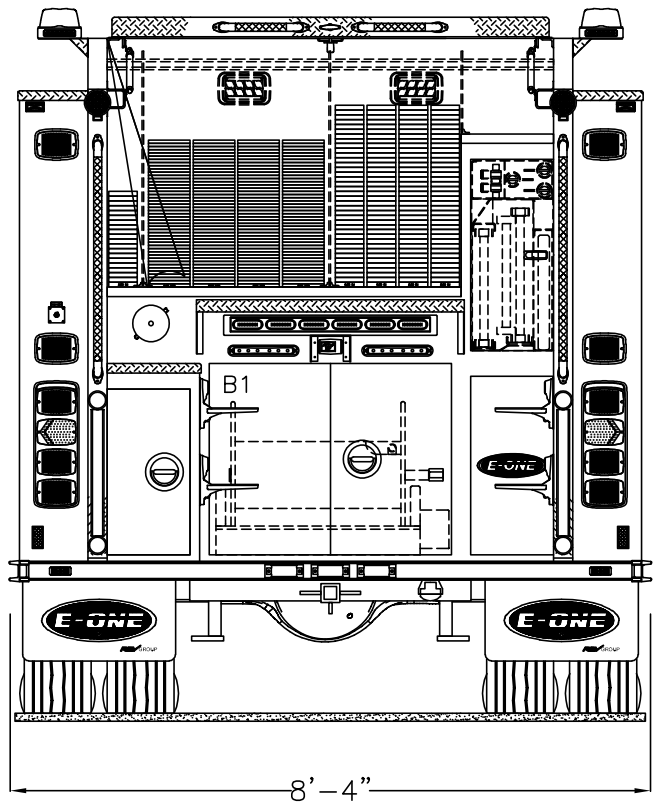
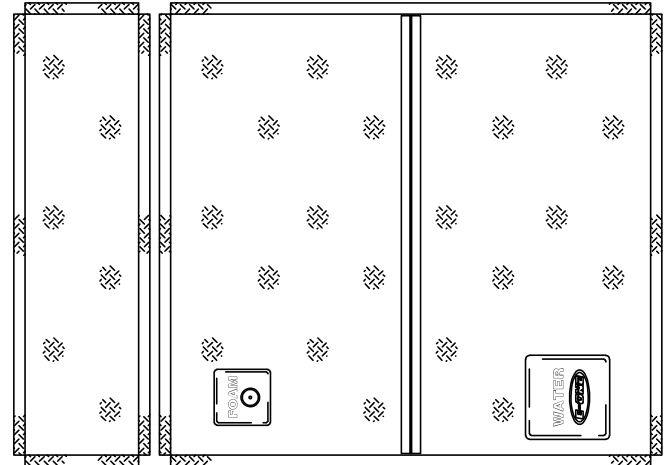
Q116903
PUMPER
CYCLONE 4X2 CHASSIS

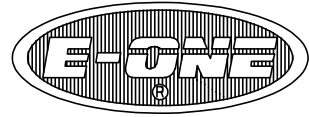
1500 GPM HALE QMAX PUMP		HOSE LOAD:			
730 GALLON WATER TANK		150' OF 2.50" DJ			
50 GALLON INTEGRAL CLASS "A" FOAM		1000' OF 4.00" LDH			
		1200' OF 2.50" DJ			
COMPT.	OPENING	INTERIOR DIMENSION			
L1/R1	46W 59H	48W	25H	12D	UPPER
		48W	30H	26D	LOWER
L2/R2	54W 25H	56W	25H	12D	
L3/R3	54W 59H	56W	25H	12D	UPPER
		56W	30H	26D	LOWER
B1	38W 30H	38W	30H	27D	

THIS DRAWING IS FOR REFERENCE PURPOSES. ALL DIMENSIONS ARE SUBJECT TO MINOR VARIATIONS DUE TO MANUFACTURING PROCESSES.

This print is the property of E-ONE, Inc. and is loaned to you subject to return on demand, unless otherwise agreed to in writing by E-ONE, Inc. Its contents are confidential and must not be copied or submitted to third parties for use or examination.

HOSEBED HEIGHT:
(FOR REFERENCE ONLY)
TO TAILBOARD: 43"
TO GROUND: 67±2"

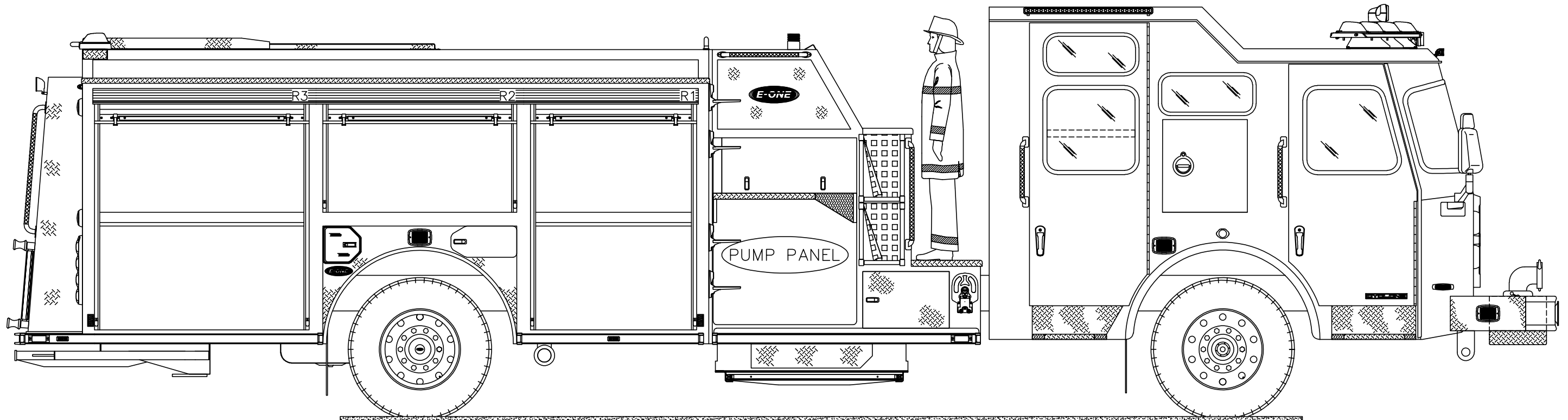
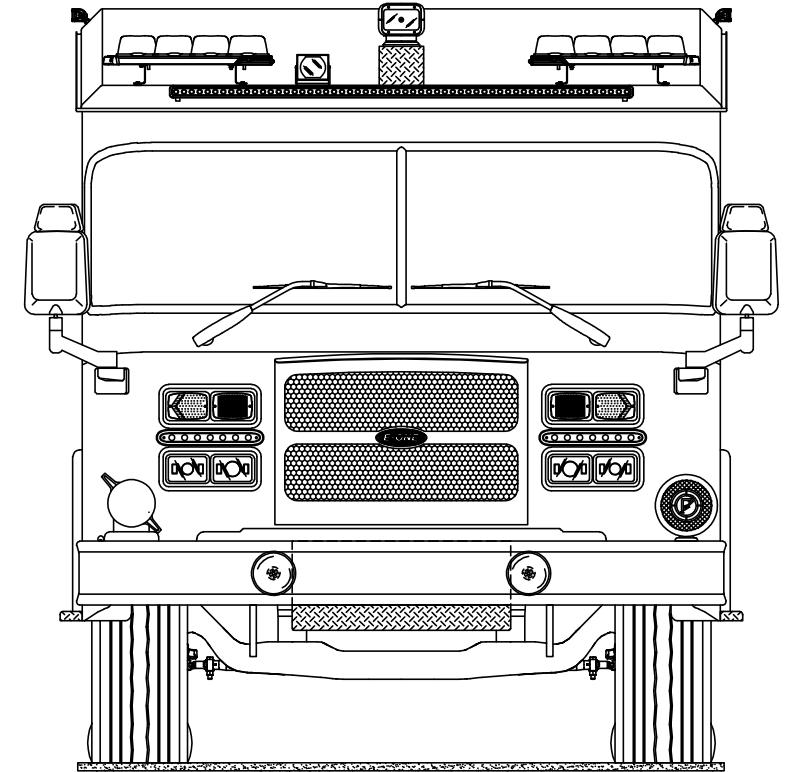




AURORA FIRE DEPARTMENT
AURORA, IL
Q116903
PUMPER
CYCLONE 4X2 CHASSIS

THIS DRAWING IS FOR REFERENCE PURPOSES. ALL DIMENSIONS ARE SUBJECT TO MINOR VARIATIONS DUE TO MANUFACTURING PROCESSES.

This print is the property of E-ONE, Inc. and is loaned to you subject to return on demand, unless otherwise agreed to in writing by E-ONE, Inc. Its contents are confidential and must not be copied or submitted to third parties for use or examination.



NOGRFFM	A	QUOTE REVIEW 1	2022-APR-01	NOGRFFM
DRAWN BY	REV	DESCRIPTION	DATE	APPROVED
APPROVAL REVISIONS				SHEET 2 OF 2