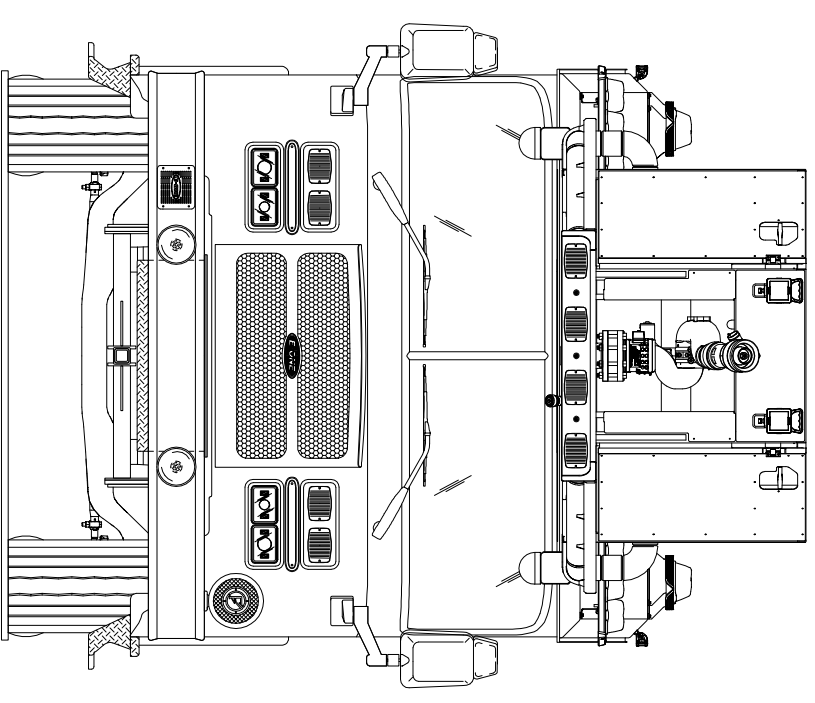
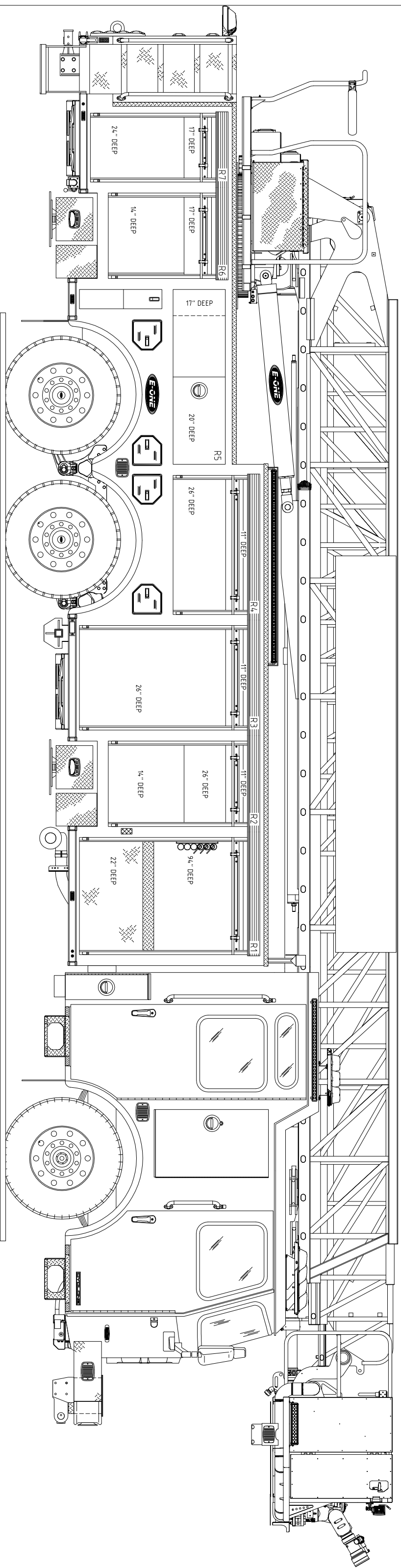


AURORA FIRE DEPT. AURORA, IL

QUOTE 126016
AERM AERIAL BODY
E-ONE CYCLONE CHASSIS
92-P AERIAL

THIS DRAWING IS FOR REFERENCE PURPOSES. ALL DIMENSIONS ARE
SUBJECT TO MINOR VARIATIONS DUE TO MANUFACTURING PROCESSES.

This print is the property of E-ONE, Inc. and is loaned to you
subject to return on demand, unless otherwise agreed to in writing by
E-ONE, Inc. Its contents are confidential and must not be
copied or submitted to third parties for use or examination.



DATE	2021-JAN-08	APPROVED	GABRIEL
DESCRIPTION			
REV	A		
DRAWN BY	GABRIEL		
APPROVAL REVISIONS			
			SHEET 2 OF 2