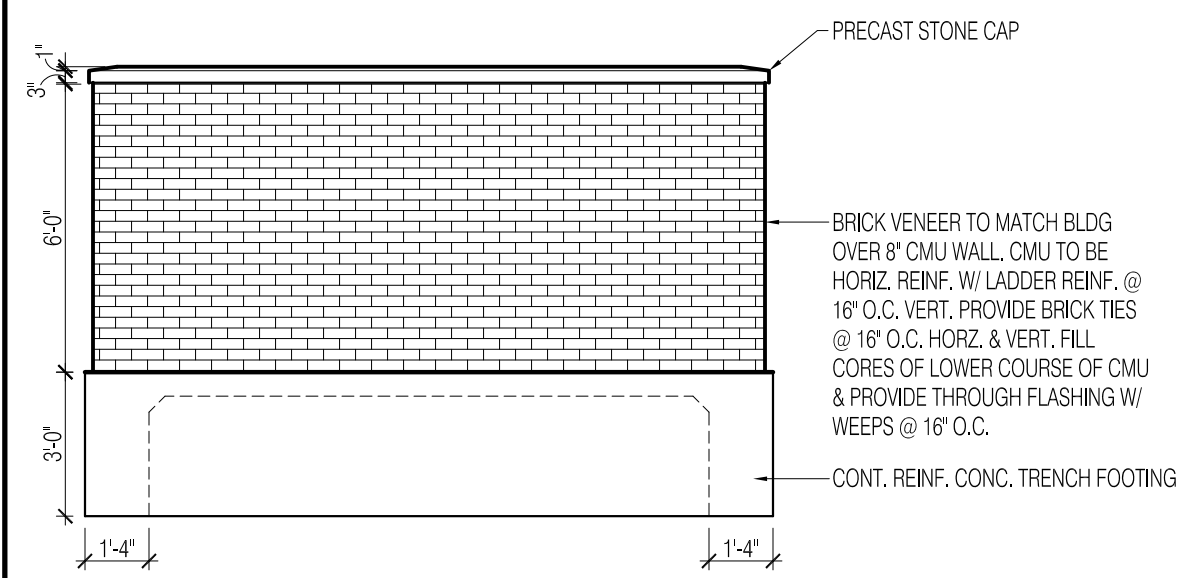
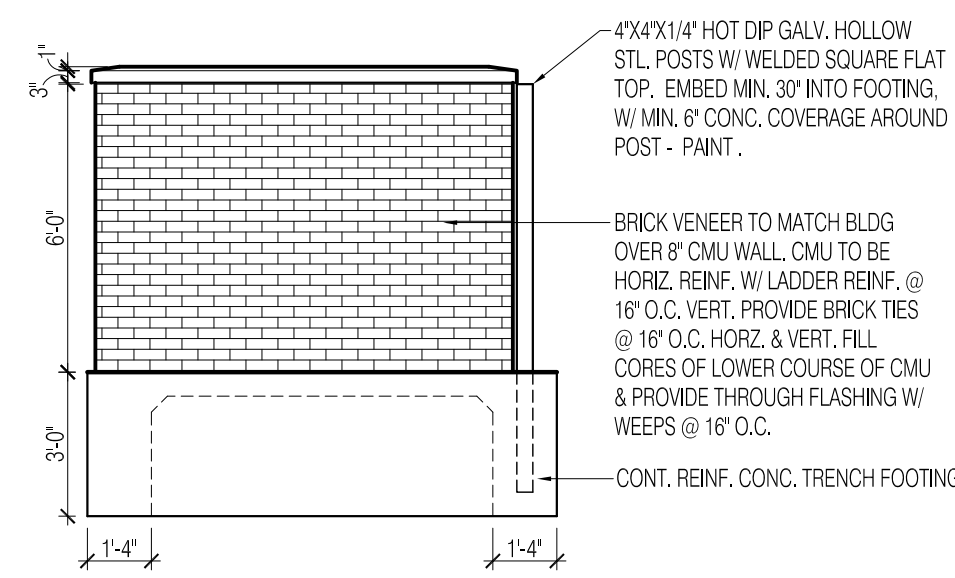


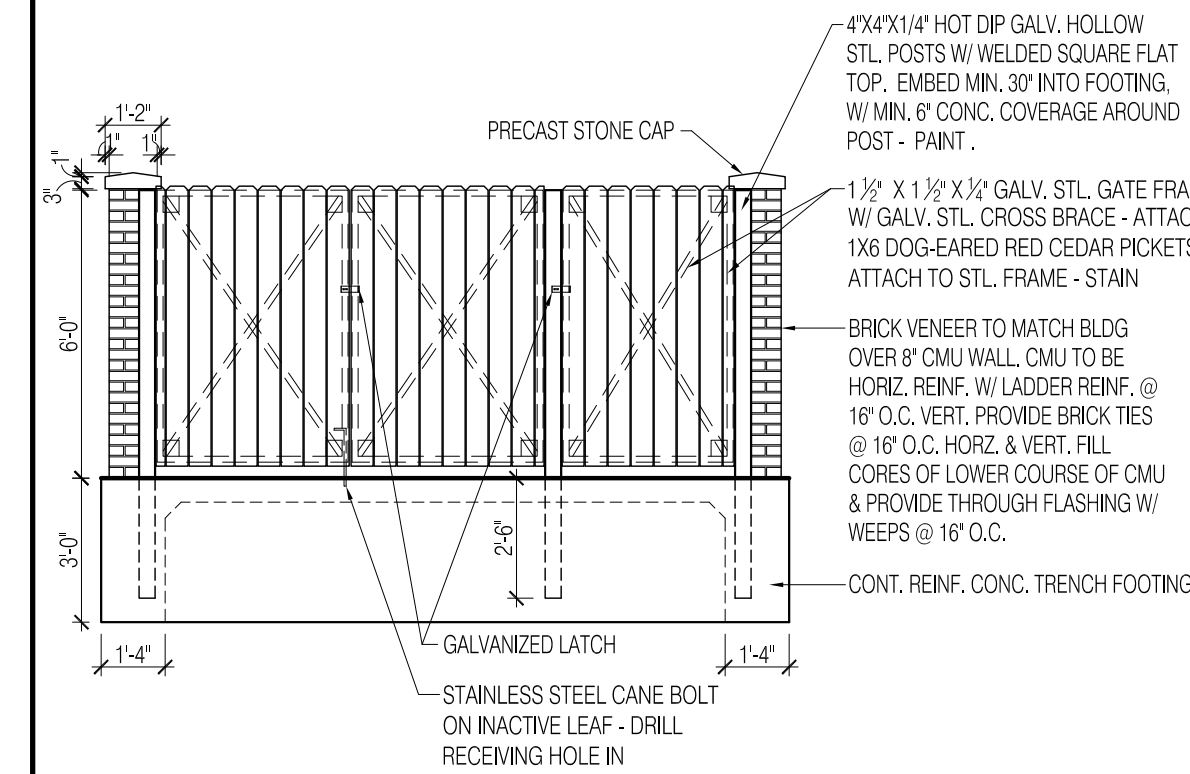
# ELEVATIONS



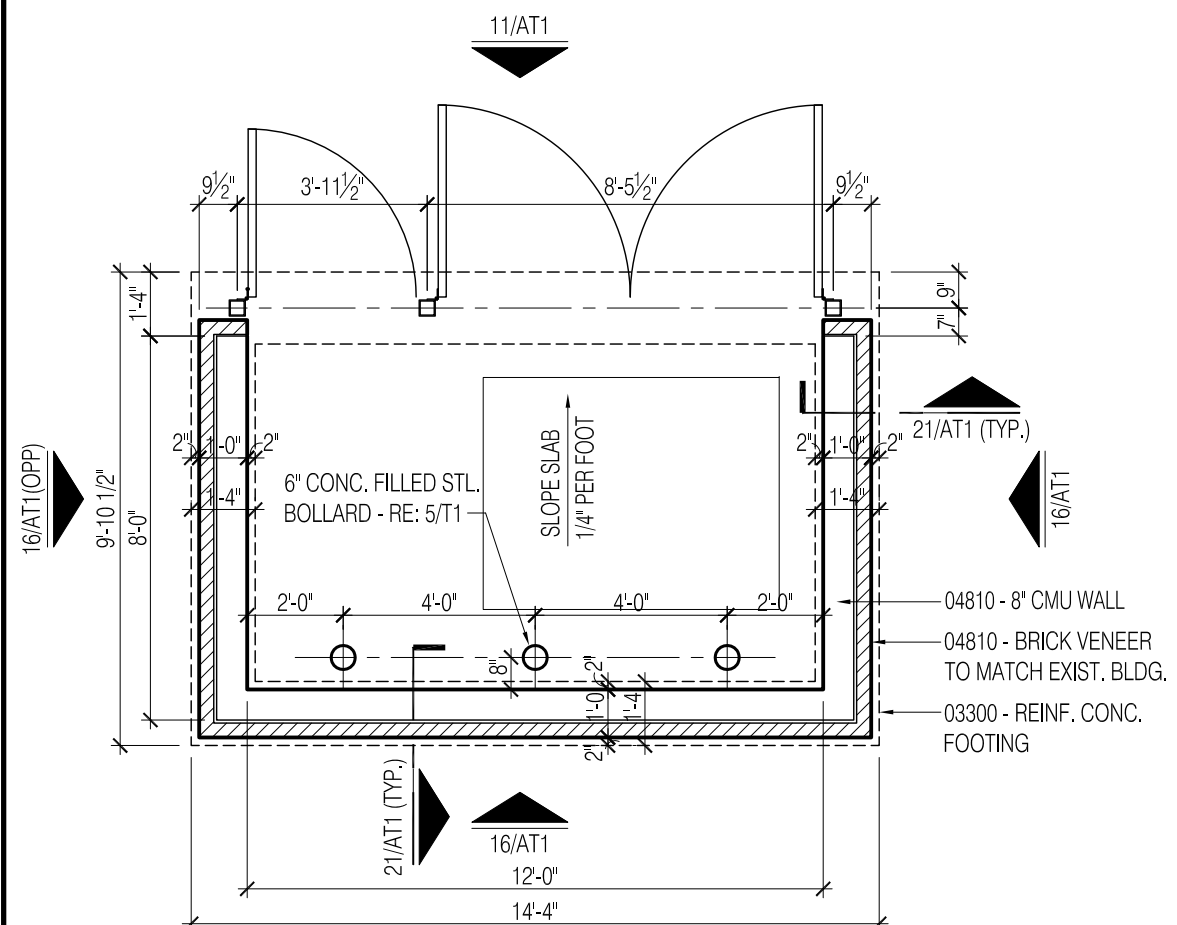
**4 TRASH ENCLOSURE ELEV - REAR**  
1/4" = 1'-0"



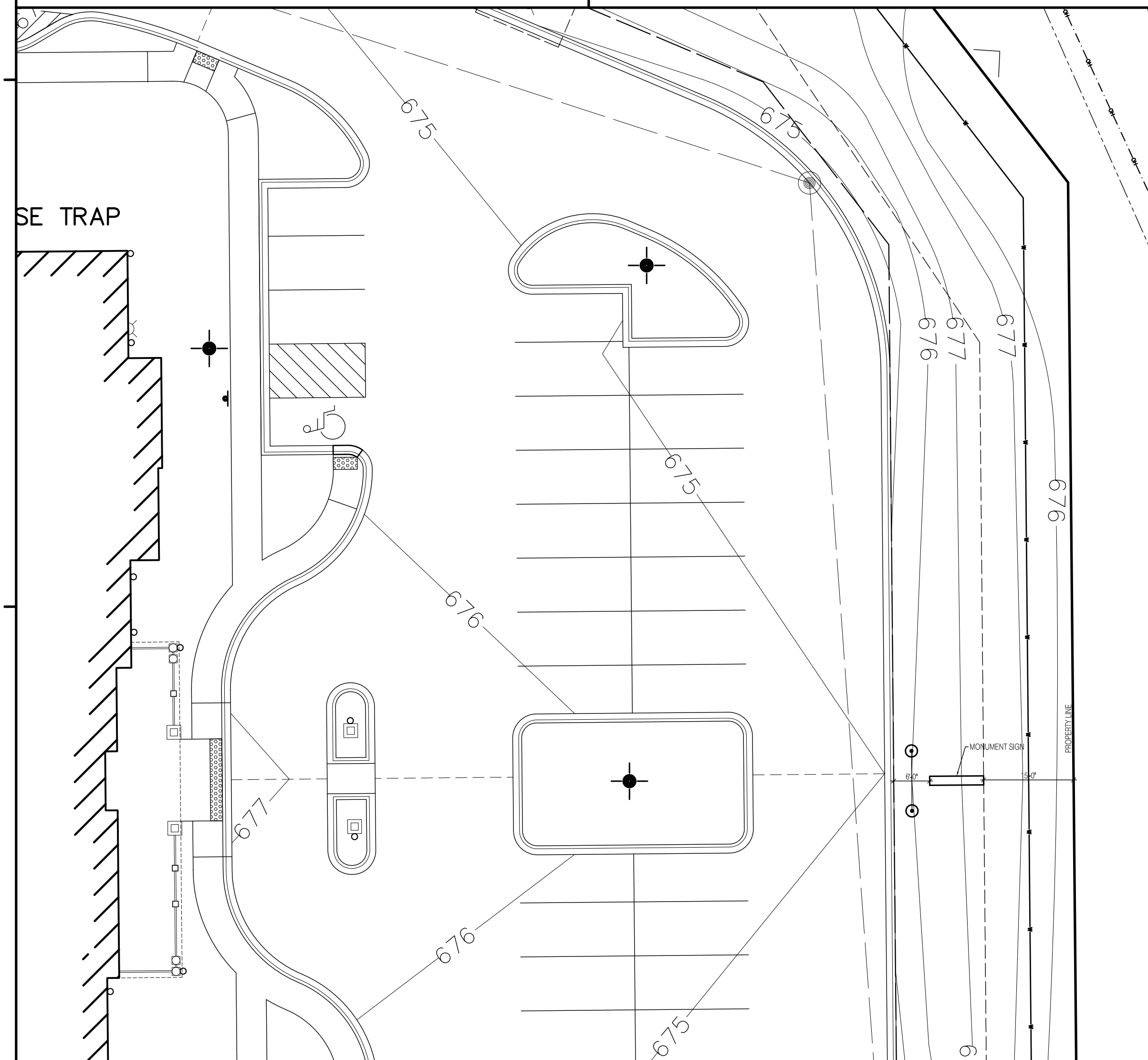
**3 TRASH ENCLOSURE ELEV - SIDE**  
1/4" = 1'-0"



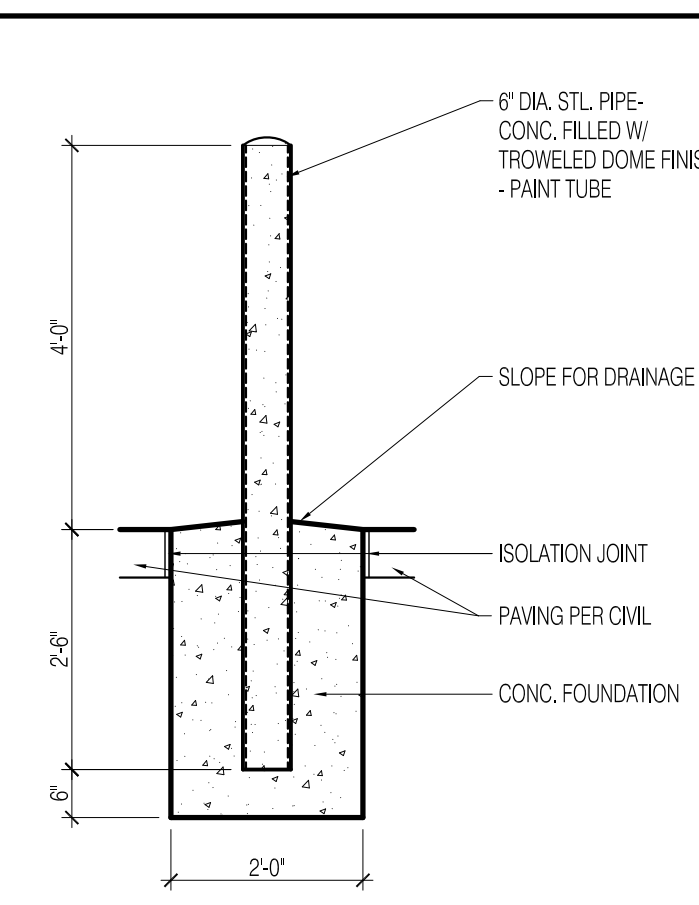
**2 TRASH ENCLOSURE ELEV - FRONT**  
1/4" = 1'-0"



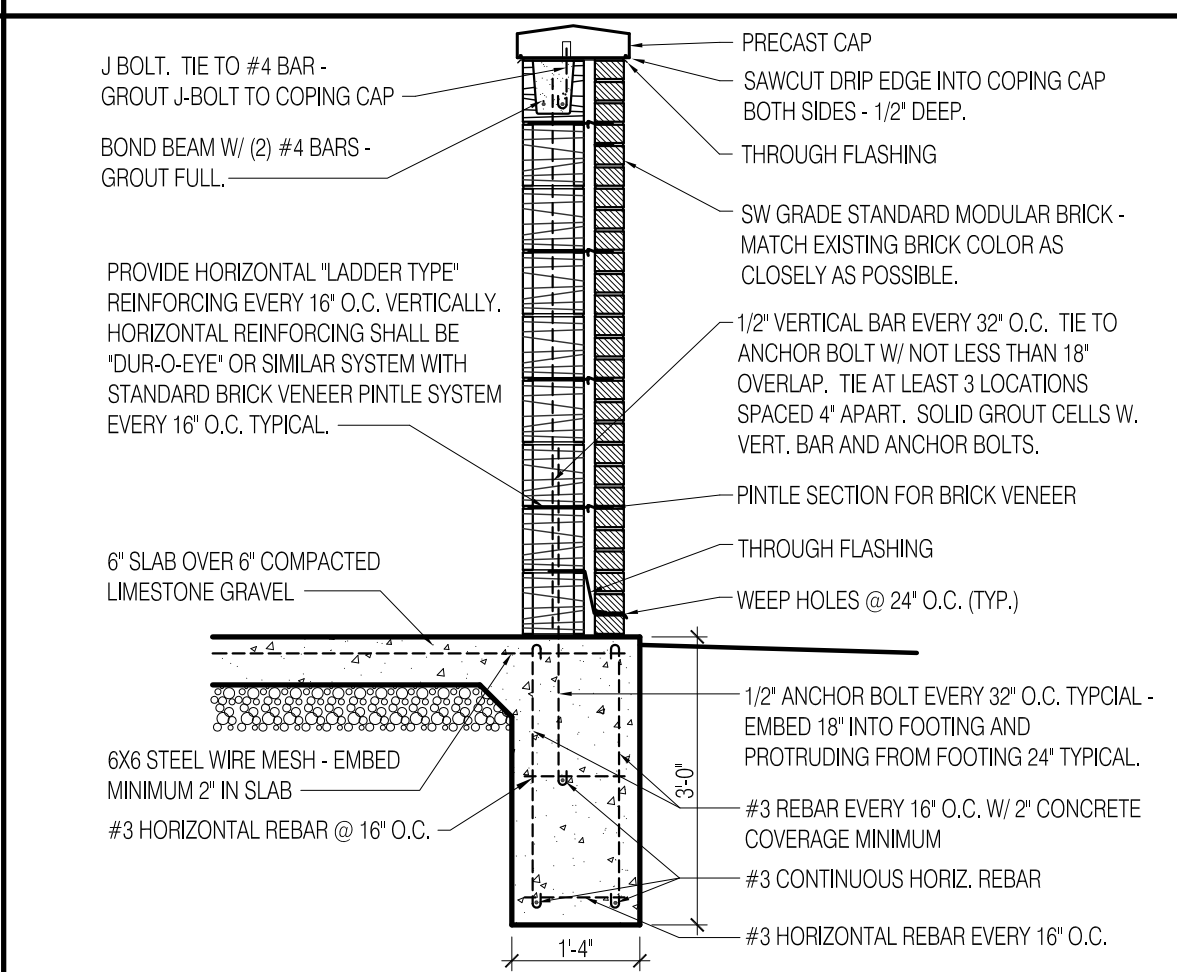
**1 TRASH ENCLOSURE PLAN**  
1/4" = 1'-0"



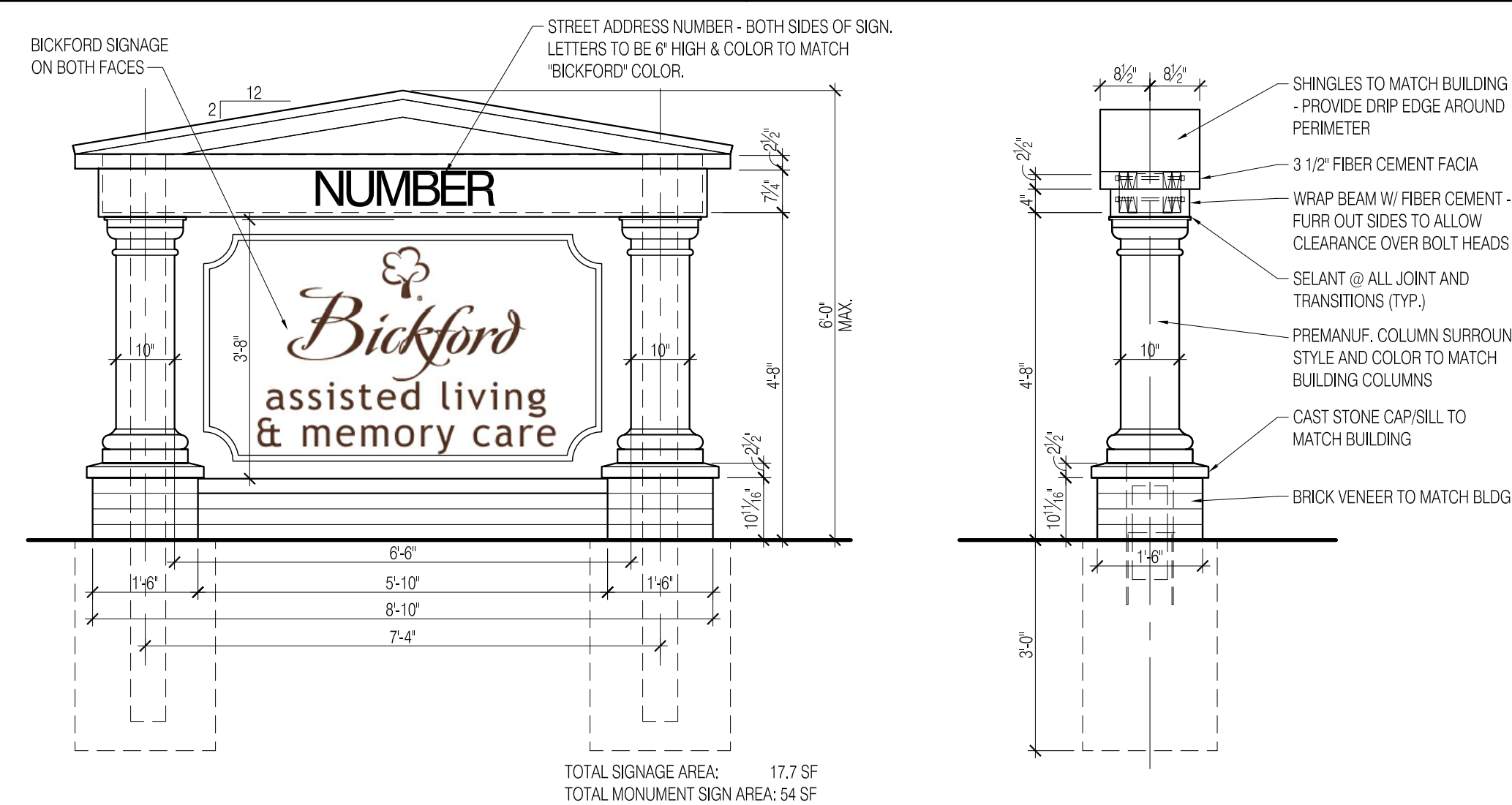
**9 GROUND SIGN LOCATION PLAN**  
1/4" = 1'-0"



**6 BOLLARD DETAIL**  
1/2" = 1'-0"



**5 TRASH ENCLOSURE SECTION**  
1/2" = 1'-0"



**8 MONUMENT SIGN ELEVATIONS**  
1/2" = 1'-0"

SIGNAGE DATA TABLE: GROUND SIGNAGE			
GROUND SIGN #	DESCRIPTION	VALUE	UNIT
i)	LENGTH OF STREET FRONTAGE - ON WHICH SIGN IS LOCATED	595	FEET
ii)	WIDTH OF SIGN FACE	5'-8"	FEET
iii)	HEIGHT OF SIGN FACE	3'-2"	FEET
iv)	SQUARE FOOTAGE OF SIGN FACE	17.7	SQUARE FEET
v)	HEIGHT OF SIGN (OVERALL)	6	FEET
vi)	TYPE OF SIGN	MONUMENT	
vii)	TYPE OF SIGN BASE	BRICK	
viii)	IS THERE A DIGITAL DISPLAY	NO	

**7 SIGNAGE DATA TABLE: GROUND**  
1/2" = 1'-0"