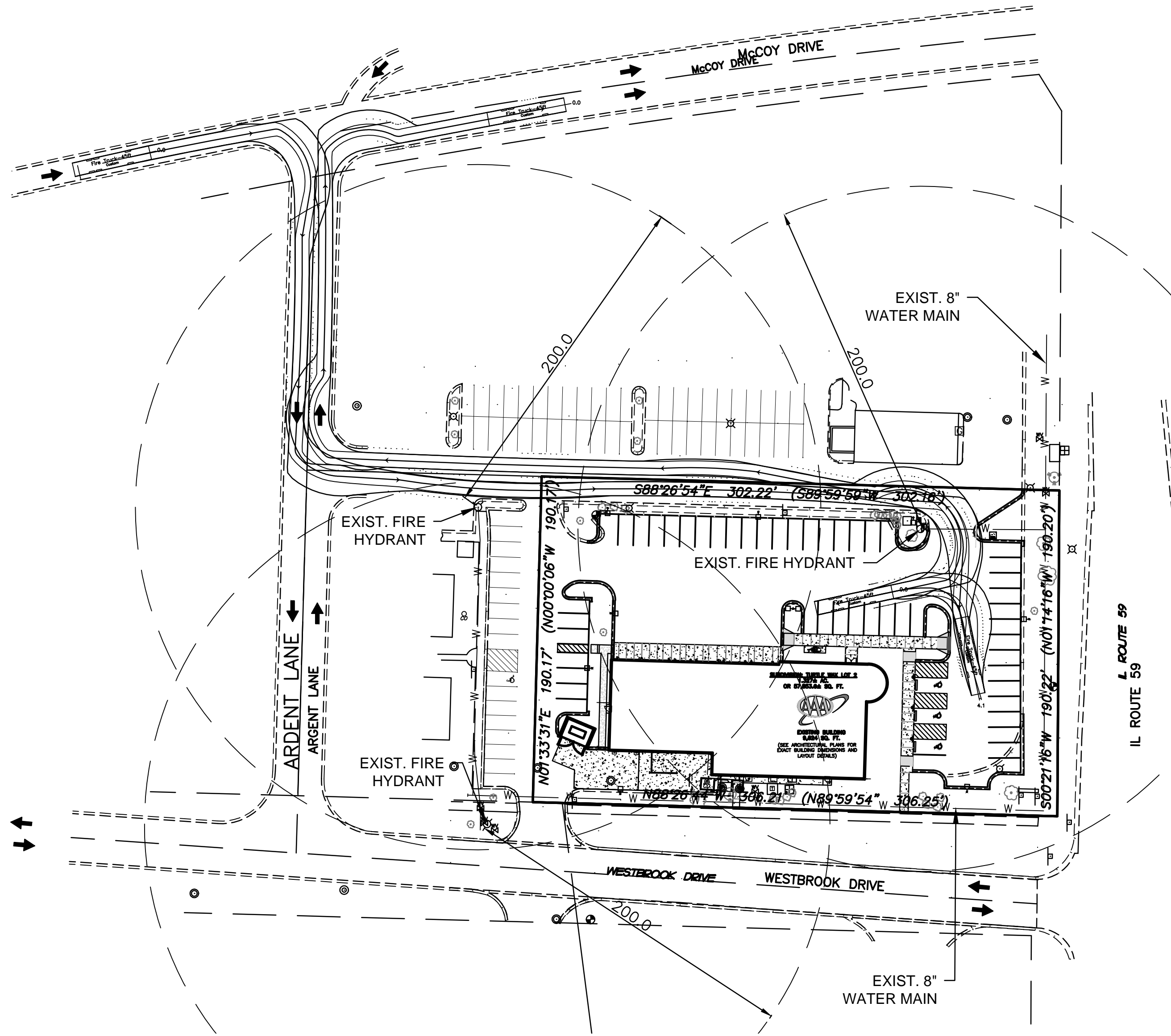
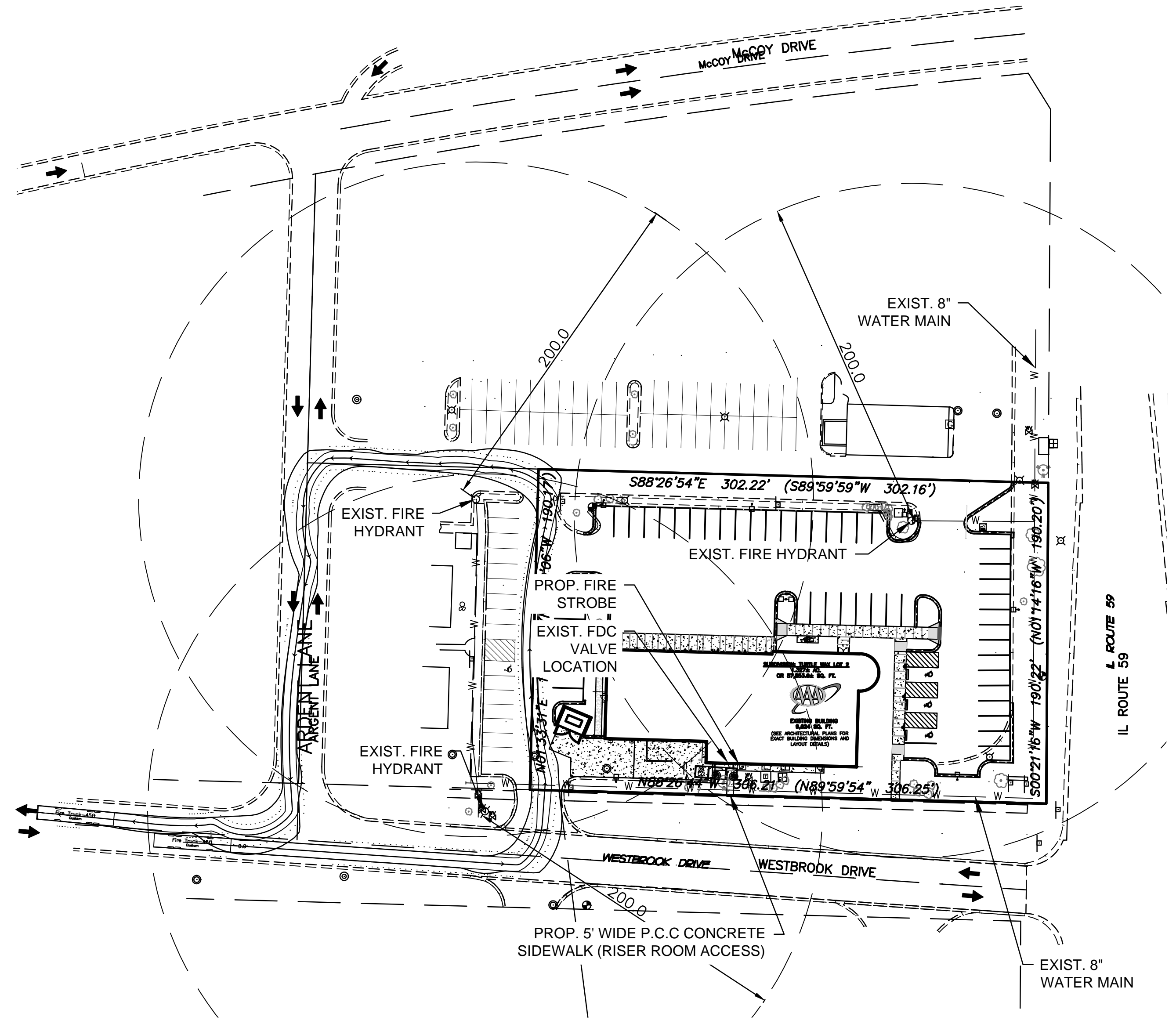


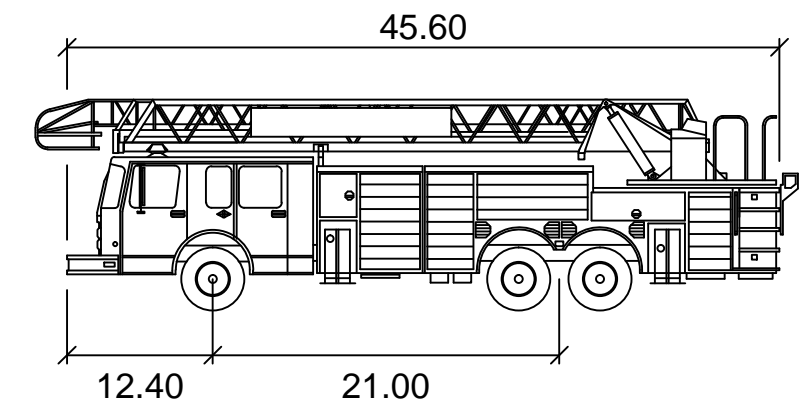
FIRE ACCESS PLAN FOR TURTLE WAX LOT 2



1 McCoy DR ACCESS – EXIT VIA THREE POINT TURN
SCALE: 1" = 50'



2 WESTBROOK DR ACCESS – EXIT VIA ARGENT LN
SCALE: 1" = 50'



Fire Truck-45ft feet
Width : 8.00
Track : 8.00
Lock to Lock Time : 6.0
Steering Angle : 40.0

VEHICLE DIMENSIONS

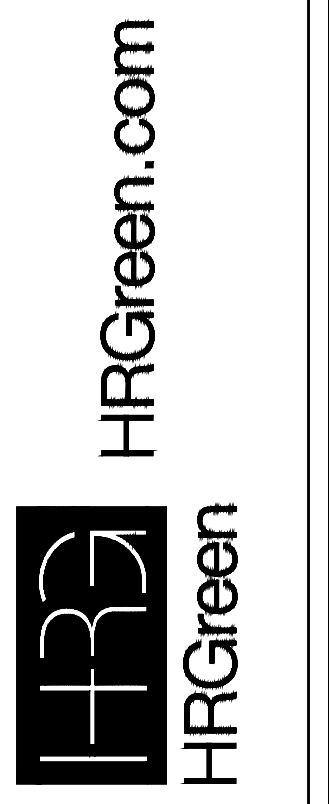
SYMBOL LEGEND		
	EXISTING PROPOSED	
LIGHT POLE		
SIGN		
BOLLARD		
WATER VALVE		
FIRE HYDRANT		
UTILITY PEDESTAL		
ELECTRICAL BOX		
ELECTRICAL METER		
GAS METER		
UTILITY POLE		
TRANSFORMER		
STORM MANHOLE		
STORM INLET		
STORM CATCH BASIN		
SANITARY MANHOLE		
SANITARY CLEANOUT		
DECIDUOUS TREE		
CONIFEROUS TREE		
BUSH		
STORM SEWER		
SANITARY SEWER		
WATER LINE		
UNDERGROUND ELECTRIC		



FIRE ACCESS PLAN DATA TABLE		
DESCRIPTION	VALUE	UNIT
a) Building Height	17	feet
b) Square footage of each building	9,422	square feet
c) Building fire suppression information including any proposed use of sprinkler systems, fire alarm systems, whether fire extinguishers are needed: Existing Turtlewax (Loguna) car wash building contains an existing fire suppression sprinkler system.		
d) General description of business to be conducted within each building including: will there be rack storage in the building, will there be storage of combustible materials over twelve feet in height, clearance of sprinkler heads and stored materials (18 inch minimum): Office sales of insurance, travel packages, and light repair of automobiles. There will be rack storage, but non over the height of 12 feet. Minimum required clearance of sprinkler heads will be maintained.		

FOR REVIEW

NO.	DATE	BY	REVISION DESCRIPTION
1	1-4-16	EJG	ADDED LABELS FOR FIRE DEPT. REVIEW



CAR CARE PLUS CENTER
AAA – AMERICAN AUTOMOBILE ASSOCIATION
AURORA, IL
CIVIL
FIRE ACCESS PLAN FOR TURTLE WAX LOT 2

BAR IS ONE INCH ON OFFICIAL DRAWINGS
0 1" IF NOT ONE INCH, ADJUST SCALE ACCORDINGLY

DRAWN BY: MRJ
APPROVED: EJG
JOB DATE: 9/14/2015
JOB NO: 86140405

DRAWING
FP2

Xref: 86140405-ccs-Dwg; vgt-1-6-01; top-86140405-AAA_Aurora 10/26/2015 3:07:07 PM \\hrgrhmas\data\86140405\CAD\Draws\C\Fire_Access_Plan.dwg