

# AUTOTURN EXHIBIT

SHEET 1 OF 1

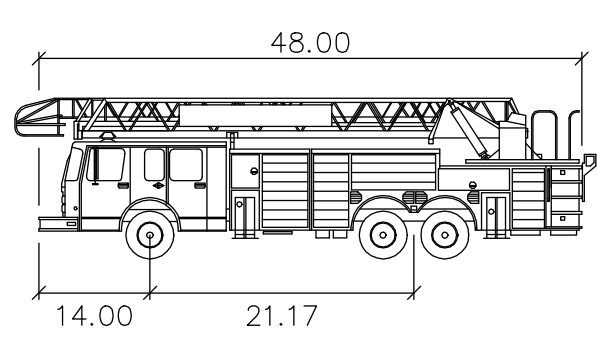
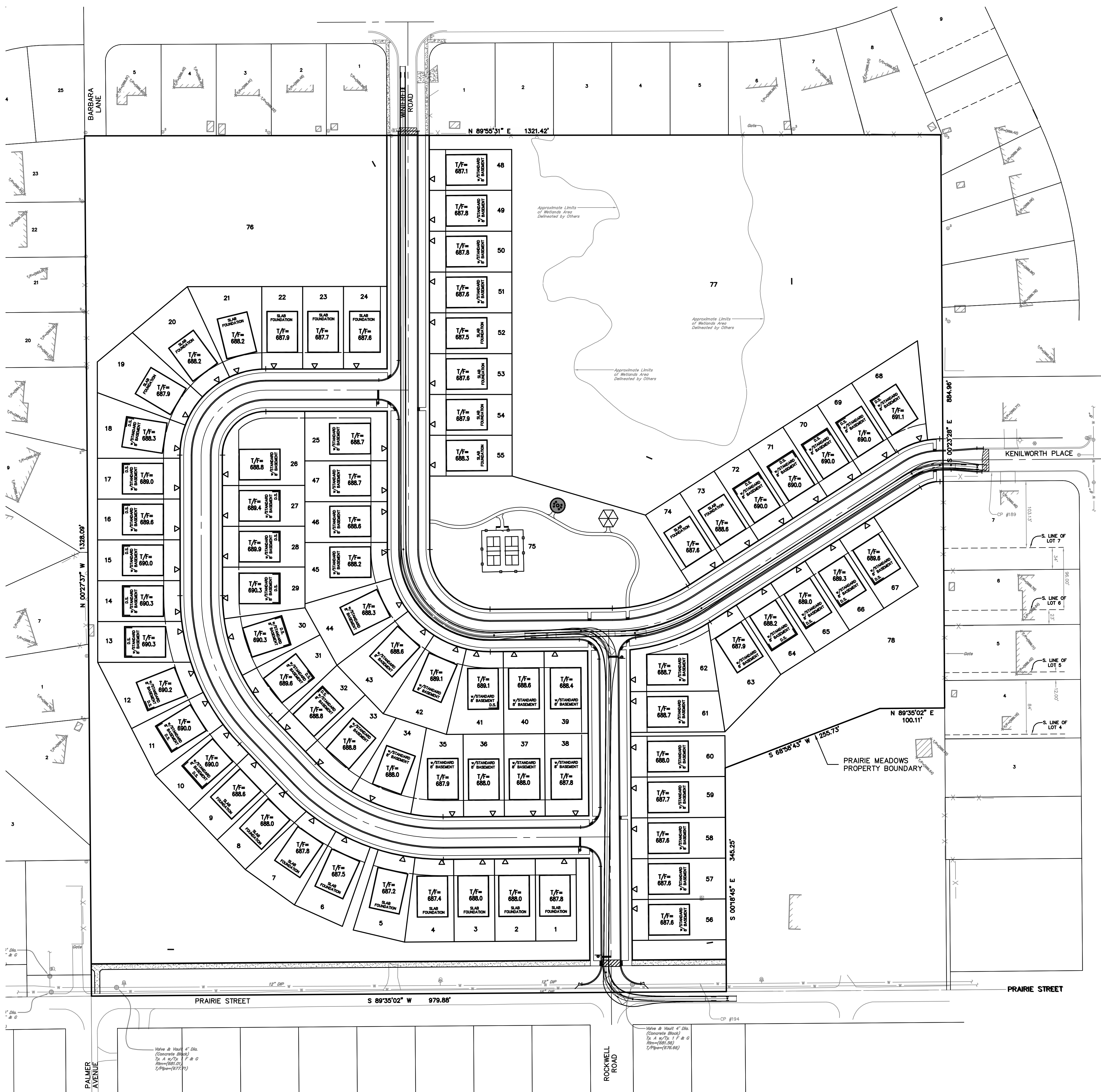
FOR

# PRAIRIE MEADOWS

AURORA, ILLINOIS



80 40 0 80  
SCALE: 1" = 80'



FIRETRUCK		feet
Width	:	8.00
Track	:	7.00
Lock to Lock Time	:	6.00
Steering Angle	:	31.90

PREPARED FOR:  
LENNAR HOMES  
1700 E. GOLF ROAD  
SUITE 1100  
SCHAUMBURG, IL 60173

PREPARED BY:  
**CEMCON, Ltd.**

Consulting Engineers, Land Surveyors & Planners  
2280 White Oak Circle, Suite 100  
Aurora, Illinois 60502-9675  
PH: 630.862.2100 FAX: 630.862.2199  
E-Mail: info@cemcon.com Website: www.cemcon.com

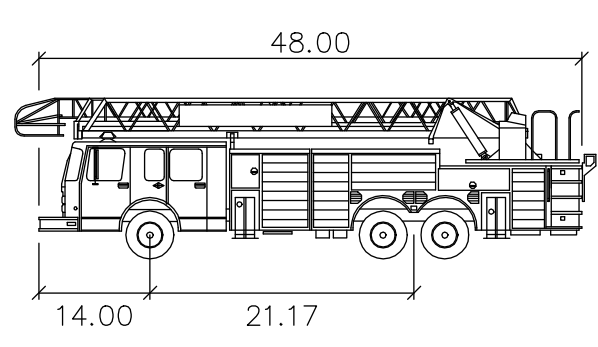
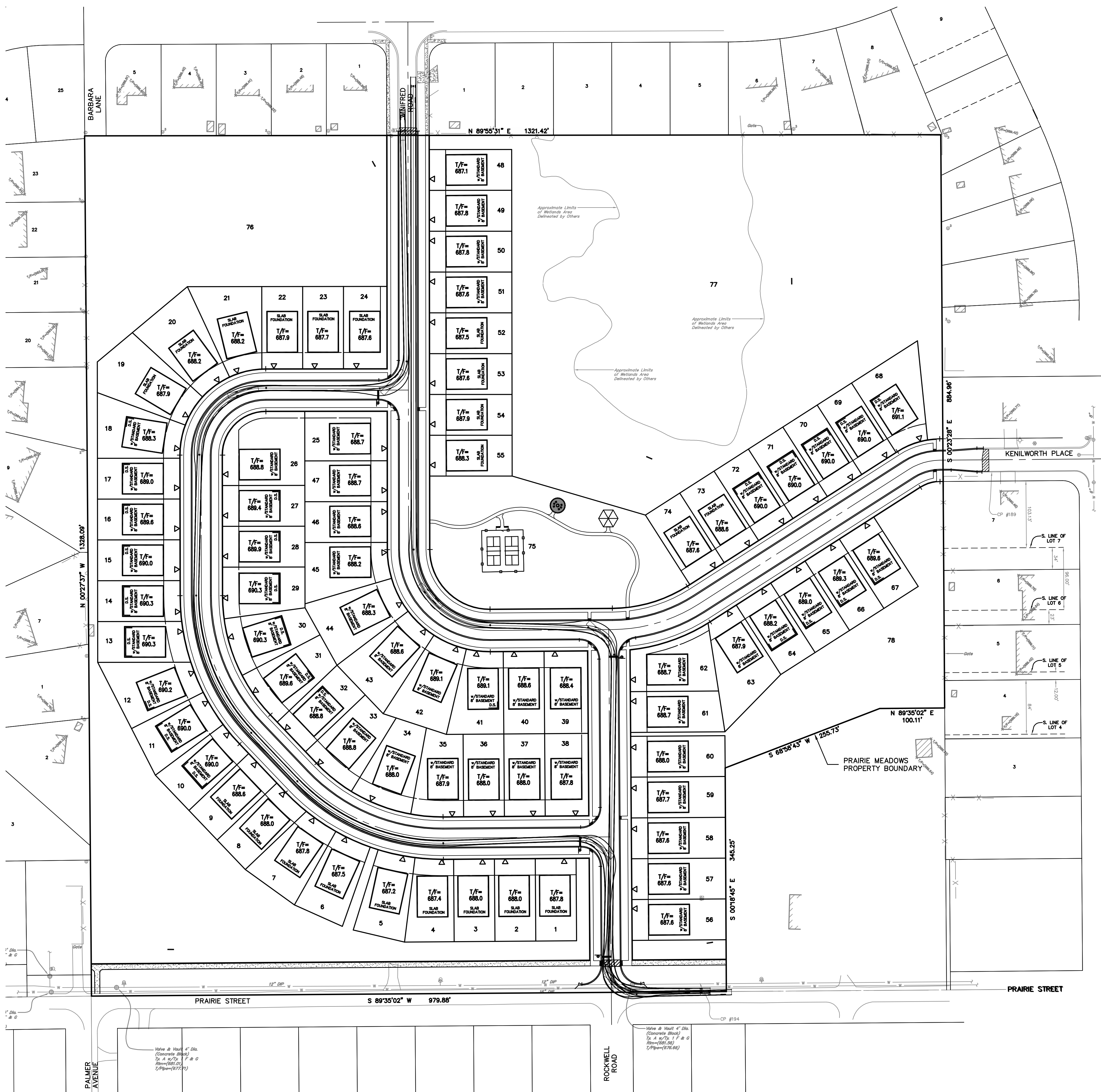
DISC NO.: 608086 FILE NAME: AUTOTURN  
DRAWN BY: JJC FLD. BK. / PG. NO.: ---  
COMPLETION DATE: 04-24-24 JOB NO.: 608.086  
XREF: TOPO PROJECT MANAGER: MAM

REVISIONS		
NO.	DATE	DESCRIPTION

DRAWING PATH: P:\608086\DWG\END\DRAWINGS\EXHIBITS\AUTOTURN.DWG PLOT FILE CREATED: 4/24/2024 BY: JEFF GERANEC



80 40 0 80  
SCALE: 1" = 80'



FIRETRUCK feet  
Width : 8.00  
Track : 7.00  
Lock to Lock Time : 6.00  
Steering Angle : 31.90

PREPARED FOR:  
LENNAR HOMES  
1700 E. GOLF ROAD  
SUITE 1100  
SCHAUMBURG, IL 60173

PREPARED BY:  
**CEMCON, Ltd.**  
Consulting Engineers, Land Surveyors & Planners  
2280 White Oak Circle, Suite 100  
Aurora, Illinois 60502-9675  
PH: 630.862.2100 FAX: 630.862.2199  
E-Mail: info@cemcon.com Website: www.cemcon.com

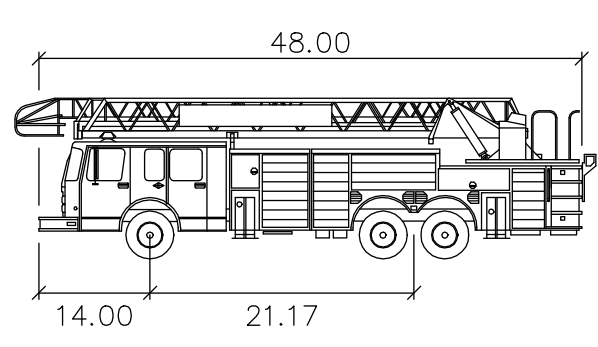
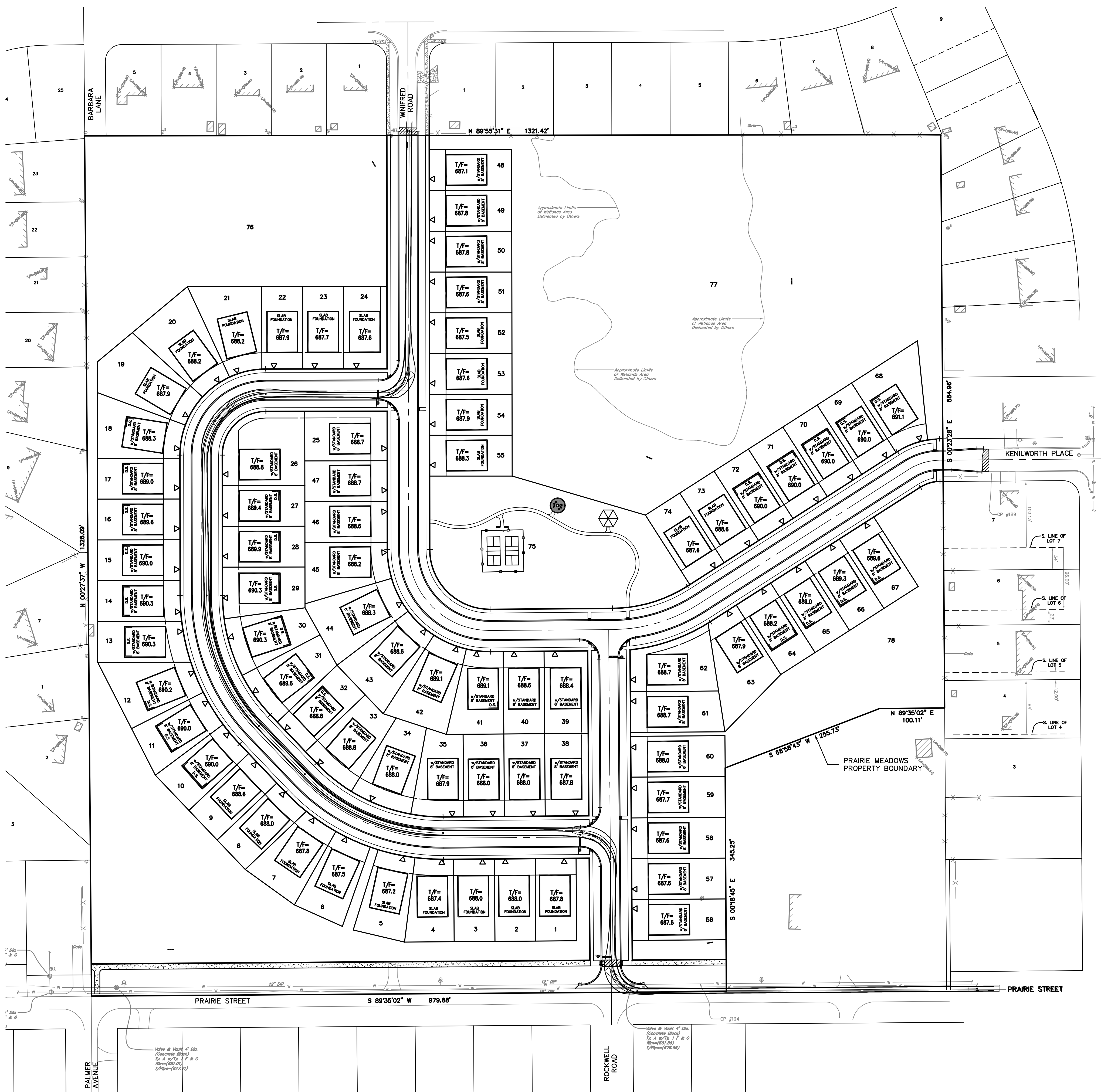
DISC NO.: 608086 FILE NAME: AUTOTURN  
DRAWN BY: JJC FLD. BK. / PG. NO.: ---  
COMPLETION DATE: 04-24-24 JOB NO.: 608.086  
XREF: TOPO PROJECT MANAGER: MAM

REVISIONS		
NO.	DATE	DESCRIPTION

DRAWING PATH: P:\608086\DWG\END\DRAWINGS\EXHIBITS\AUTOTURN.DWG PLOT FILE CREATED: 4/24/2024 BY: JEFF GERANEC



80 40 0 80  
SCALE: 1" = 80'



**FIRETRUCK** feet  
 Width : 8.00  
 Track : 7.00  
 Lock to Lock Time : 6.00  
 Steering Angle : 31.90

PREPARED FOR:  
**LENNAR HOMES**  
 1700 E. GOLF ROAD  
 SUITE 1100  
 SCHAUMBURG, IL 60173

PREPARED BY:  
**CEMCON, Ltd.**  
 Consulting Engineers, Land Surveyors & Planners  
 2280 White Oak Circle, Suite 100  
 Aurora, Illinois 60502-9675  
 PH: 630.862.2100 FAX: 630.862.2199  
 E-Mail: info@cemcon.com Website: www.cemcon.com

DISC NO.: 608086 FILE NAME: AUTOTURN  
 DRAWN BY: JJC FLD. BK. / PG. NO.: ---  
 COMPLETION DATE: 04-24-24 JOB NO.: 608.086  
 XREF: TOPO PROJECT MANAGER: MAM

REVISIONS		
NO.	DATE	DESCRIPTION

DRAWING PATH: P:\608086\608086.DWG; DRAWING EXHIBITS\AUTOTURN.DWG; PLOT FILE CREATED: 4/24/2024 BY: JJC; CEMCON